

 **BOEING**
COMPONENT
MAINTENANCE MANUAL

TO: ALL HOLDERS OF OUTBOARD FORWARD LEFT HAND CLOSET ASSEMBLY COMPONENT
MAINTENANCE MANUAL 25-24-01

REVISION NO. 4 DATED SEP 01/94

HIGHLIGHTS

Pages which have been added or revised are outlined below together with the highlights of the revision. Remove and insert the affected pages as listed and enter Revision No. and date to the Record of Revision Sheet.

CHAPTER/SECTION

AND PAGE NO.

DESCRIPTION OF CHANGE

TITLE PAGE

Added closet assembly 413T3060-27SP.

1

1003-1004,1006-1023,
1025-1033,1035-1062

TR & SB RECORD

Edited without technical changes.

1

301

REPAIR-GEN

601

REPAIR 3-1

601-602

REPAIR 4-1

601,603

701

1024,1034

REPAIR-GEN

Added/changed refinish and other details.

601

REPAIR 2-1

601

REPAIR 4-1

601-602

701

25-24-01

HIGHLIGHTS

01.1

Page 1

Sep 01/94

OUTBOARD FORWARD LEFT-HAND CLOSET ASSEMBLY

PART NUMBER 413T3060-1,-21,-22,-23,-25,-27

COMPONENT MAINTENANCE MANUAL
WITH
ILLUSTRATED PARTS LIST

25-24-01

TITLE PAGE

Page 1

Sep 01/94

01.1



REVISION RECORD

- Retain this record in front of manual. On receipt of revision, insert revised pages in the manual, and enter revision number, date inserted and initial.

REVISION NUMBER	REVISION DATE	DATE FILED	BY	REVISION NUMBER	REVISION DATE	DATE FILED	BY

25-24-01

REVISION RECORD

01.1

Page 1

Jan 01/88



TEMPORARY REVISION AND SERVICE BULLETIN RECORD

BOEING SERVICE BULLETIN	BOEING TEMPORARY REVISION	OTHER DIRECTIVE	DATE OF INCORPORATION INTO MANUAL
	TR 25-3	PRR B11782 PRR C12044	JAN 01/88 APR 01/91 JAN 01/88

25-24-01

TR & SB RECORD

01.1

Page 1

Sep 01/94


BOEING
 COMPONENT
 MAINTENANCE MANUAL

PAGE	DATE	CODE	PAGE	DATE	CODE
25-24-01			REPAIR 1-1		
			601	JAN 01/88	01.1
			602	BLANK	
TITLE PAGE			REPAIR 2-1		
*1	SEP 01/94	01.1	*601	SEP 01/94	01.1
2	BLANK		602	BLANK	
REVISION RECORD			REPAIR 3-1		
1	JAN 01/88	01.1	*601	SEP 01/94	01.1
2	BLANK		*602	SEP 01/94	01.1
TR & SB RECORD			REPAIR 4-1		
*1	SEP 01/94	01.1	*601	SEP 01/94	01.1
2	BLANK		*602	SEP 01/94	01.1
LIST OF EFFECTIVE PAGES			*603	SEP 01/94	01.1
*1	SEP 01/94	01	604	BLANK	
THRU LAST PAGE			ASSEMBLY		
CONTENTS			*701	SEP 01/94	01.1
1	JAN 01/88	01.1	702	JAN 01/88	01.1
2	BLANK		703	APR 01/91	01.1
INTRODUCTION			704	JAN 01/88	01.1
1	APR 01/91	01.1	ILLUSTRATED PARTS LIST		
2	BLANK		1001	JAN 01/88	01.1
DESCRIPTION & OPERATION			1002	JAN 01/88	01.1
1	JAN 01/88	01.1	*1003	SEP 01/94	01.1
2	BLANK		*1004	SEP 01/94	01.1
DISASSEMBLY			*1005	SEP 01/94	01.1
*301	SEP 01/94	01.1	*1006	SEP 01/94	01.1
302	BLANK		*1007	SEP 01/94	01.1
CHECK			*1008	SEP 01/94	01.1
501	APR 01/91	01.1	*1009	SEP 01/94	01.1
502	BLANK		*1010	SEP 01/94	01.1
REPAIR-GENERAL			*1011	SEP 01/94	01.1
*601	SEP 01/94	01.1	*1012	SEP 01/94	01.1
602	BLANK		*1013	SEP 01/94	01.1
			*1014	SEP 01/94	01.1
			*1015	SEP 01/94	01.1
			*1016	SEP 01/94	01.1
			*1017	SEP 01/94	01.1
			*1018	SEP 01/94	01.1

* = REVISED, ADDED OR DELETED

25-24-01

EFFECTIVE PAGES

CONTINUED Page 1

01 Sep 01/94

PAGE	DATE	CODE	PAGE	DATE	CODE
ILLUSTRATED PARTS LIST		CONT.	ILLUSTRATED PARTS LIST		CONT.
*1019	SEP 01/94	01.1	*1061	SEP 01/94	01.1
*1020	SEP 01/94	01.1	*1062	SEP 01/94	01.1
*1021	SEP 01/94	01.1			
*1022	SEP 01/94	01.1			
*1023	SEP 01/94	01.1			
*1024	SEP 01/94	01.1			
*1025	SEP 01/94	01.1			
*1026	SEP 01/94	01.1			
*1027	SEP 01/94	01.1			
*1028	SEP 01/94	01.1			
*1029	SEP 01/94	01.1			
*1030	SEP 01/94	01.1			
*1031	SEP 01/94	01.1			
*1032	SEP 01/94	01.1			
*1033	SEP 01/94	01.1			
*1034	SEP 01/94	01.1			
*1035	SEP 01/94	01.1			
*1036	SEP 01/94	01.1			
*1037	SEP 01/94	01.1			
*1038	SEP 01/94	01.1			
*1039	SEP 01/94	01.1			
*1040	SEP 01/94	01.1			
*1041	SEP 01/94	01.1			
*1042	SEP 01/94	01.1			
*1043	SEP 01/94	01.1			
*1044	SEP 01/94	01.1			
*1045	SEP 01/94	01.1			
*1046	SEP 01/94	01.1			
*1047	SEP 01/94	01.1			
*1048	SEP 01/94	01.1			
*1049	SEP 01/94	01.1			
*1050	SEP 01/94	01.1			
*1051	SEP 01/94	01.1			
*1052	SEP 01/94	01.1			
*1053	SEP 01/94	01.1			
*1054	SEP 01/94	01.1			
*1055	SEP 01/94	01.1			
*1056	SEP 01/94	01.1			
*1057	SEP 01/94	01.1			
*1058	SEP 01/94	01.1			
*1059	SEP 01/94	01.1			
*1060	SEP 01/94	01.1			

* = REVISED, ADDED OR DELETED

25-24-01

EFFECTIVE PAGES
 LAST PAGE Page 2
 01 Sep 01/94

TABLE OF CONTENTS

<u>Paragraph Title</u>	<u>Page</u>
Description and Operation	1
Testing and Trouble Shooting (not applicable)	
Disassembly	301
Cleaning. * [1]	
Check	501
Repair.	601
Assembly	701
Fits and Clearances (not applicable)	
Special Tools, Fixtures, and Equipment (not applicable)	
Illustrated Parts List.	1001
* [1] Special instructions not required. Use standard industry practices.	

25-24-01

CONTENTS

01.1

Page 1

Jan 01/88



INTRODUCTION

The instructions in this manual provide the information necessary to perform maintenance functions ranging from simple checks and replacement to complete shop-type repair.

This manual is divided into separate sections:

- | | |
|----------------------------------------------------|------------------------------|
| 1. Title Page | 4. List of Effective Pages |
| 2. Record of Revisions | 5. Table of Contents |
| 3. Temporary Revision &
Service Bulletin Record | 6. Introduction |
| | 7. Procedures & IPL Sections |

Refer to the Table of Contents for the page location of applicable sections. An asterisked flagnote *[] in place of the page number indicates that no special instructions are provided since the function can be performed using standard industry practices.

The beginning of the REPAIR section includes a list of the separate repairs, a list of applicable standard Boeing practices, and an explanation of the True Position Dimensioning symbols used.

An explanation of the use of the Illustrated Parts List is provided in the Introduction to that section.

All weights and measurements used in the manual are in English units, unless otherwise stated. When metric equivalents are given they will be in parentheses following the English units.

Design changes, optional parts, configuration differences and Service Bulletin modifications create alternate part numbers. These are identified in the Illustrated Parts List (IPL) by adding an alphabetical character to the basic item number. The resulting item number is called an alpha-variant. Throughout the manual, IPL basic item number references also apply to alpha-variants unless otherwise indicated.

Verification:

| Assembly: APR 24/90

25-24-01

INTRODUCTION

01.1

Page 1

Apr 01/91



OUTBOARD FORWARD LEFT HAND CLOSET ASSEMBLY

DESCRIPTION AND OPERATION

1. Description and Operation

A. The closet assembly is made up of bonded, honeycomb panel assemblies and has a storage shelf and coat rack. Access to the storage shelf is through a hinged door. Access to the coat rack is through two interconnected sliding doors. The doors are connected through a rack and gear mechanism that allows simultaneous opening of the upper and lower doors. As the upper door is slid downward, the lower door moves down at a slower speed so that both doors bottom out at the same time. Spring pressure on the door guides prevents the door from free falling.

2. Leading Particulars (approximate)

Height: 80 inches
Length: 42 inches
Width: 24 inches
Weight: 80 pounds

25-24-01

DESCRIPTION & OPERATION

01.1

Page 1

Jan 01/88



DISASSEMBLY

1. Disassembly

CAUTION: THE CLOSET INCLUDES APPEARANCE ITEMS. BE CAREFUL NOT TO DAMAGE SURFACES THAT THE PASSENGERS WILL SEE.

NOTE: Disassemble this component only as necessary to complete fault isolation, determine part serviceability, perform required repairs, and restore unit to serviceable condition.

A. Special instructions are not necessary. Use standard industry practices.

25-24-01

DISASSEMBLY

01.1

Page 301

Sep 01/94



CHECK

1. Check all parts for obvious defects using standard industry practices.
2. Penetrant check fitting (13, 276, 336, 570, 582), plate (279), latch (184, 396) and housing (184G, 904) per 20-20-02.

25-24-01

CHECK

01.1

Page 501

Apr 01/91

REPAIR – GENERAL1. Content

- A. Repair, refinish, and replacement procedures are included in the separate repair sections as follows:

<u>P/N</u>	<u>TITLE</u>	<u>REPAIR</u>
412T2035	FITTING ASSY	1-1
413T3004	PULL	2-1
413T3045	RAIL ASSY	3-1
- -	MISCELLANEOUS PARTS REFINISH	4-1

2. Standard Practices

- 20-41-01 Decoding Table for Boeing Finish Codes
- 20-41-02 Application of Chemical and Solvent Resistant Finishes
- 20-41-04 Application and Repair of Interior Decorative Finishes
- 20-42-05 Bright Cadmium Plating
- 20-43-01 Chromic Acid Anodizing
- 20-50-03 Bearing Installation and Retention
- 20-50-12 Application of Adhesives

3. Materials

NOTE: Equivalent substitutes can be used.

- A. Primer -- BMS 10-11, Type 1 (Ref 20-60-02)
BMS 10-83, Type 1 (Ref 20-60-02)
- B. Enamel -- BMS 10-11, Type 2 (Ref 20-60-02)
BMS 10-83, Type 2 (Ref 20-60-02)
- C. Adhesive -- Type 82 (Ref 20-50-12)

25-24-01

REPAIR-GENERAL

01.1

Page 601

Sep 01/94



FITTING ASSEMBLY - REPAIR 1-1

413T2035-1

NOTE: Refer to REPAIR-GEN for list of applicable standard practices.

1. Bushing Replacement (IPL Fig. 1)

- A. Remove bushing (14 or 14G).
- B. Thoroughly coat ID of fitting and OD of bushing with BMS 10-11 type 1 primer and install bushing while primer is wet per 20-50-03.

2. Refinish (IPL Fig. 1)

- A. Fitting (13): Anodize per MIL-A-8625, type 1 (chromic acid) or type 2 (sulfuric acid). Apply 1 coat BMS 10-11 type 1 primer and type 2 enamel (BAC702 gloss white). Material: Al alloy.

25-24-01

REPAIR 1-1

01.1

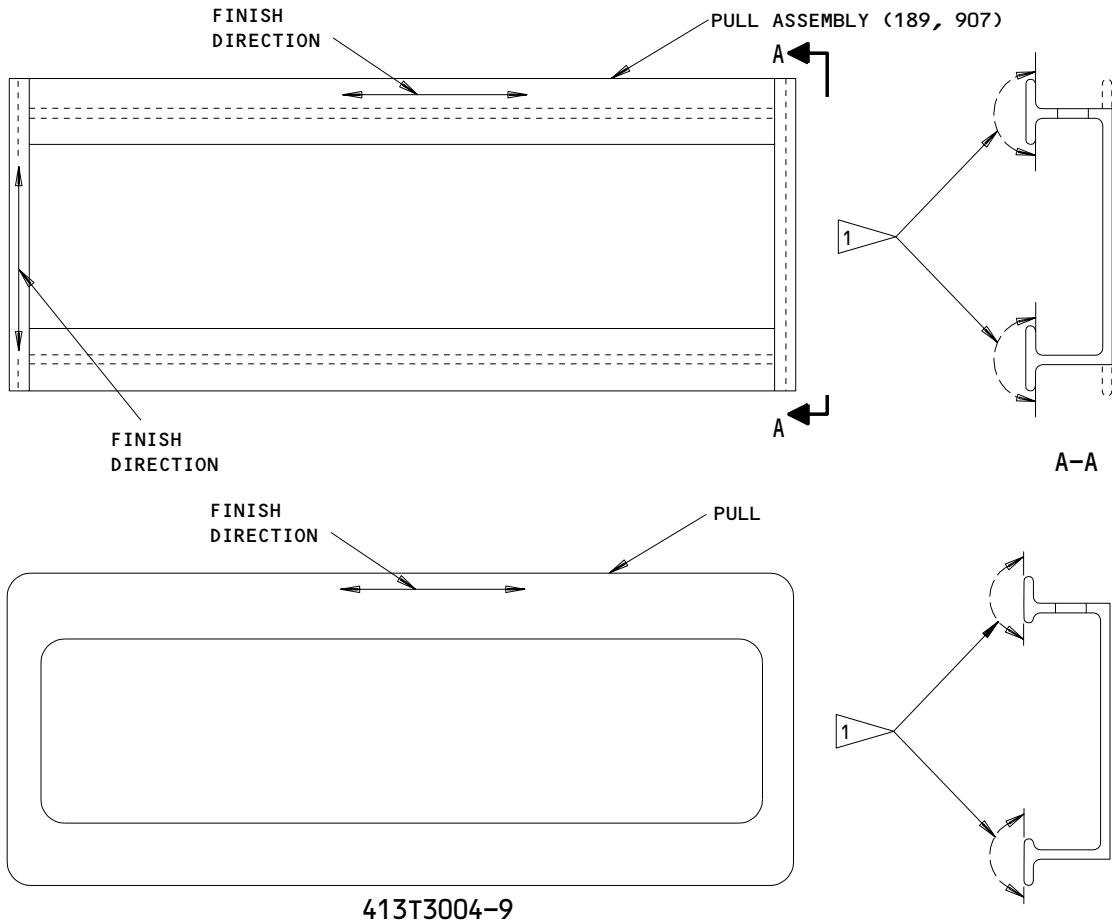
Page 601

Jan 01/88

PULL - REPAIR 2-1
413T3004-4, -9

1. Plating Repair

- A. Repair is only replacement of the original finish. Refer to Refinish instructions, Fig. 601. Refer to REPAIR-GEN for a list of applicable standard practices.



413T3004-9

REFINISH

NON-DIRECTIONAL ETCH (F-14.2992).
 APPLY COARSE GRAIN BUFF SATIN FINISH
 LONGITUDINALLY (F-14.25) TO AREAS SHOWN BY 1

MATERIAL: AL ALLOY
 ITEM NUMBERS REFER TO IPL FIG. 1

1 BUFF THESE SURFACES ONLY

413T3004-4,-9
 Pull Refinish Details
 Figure 601

109221

25-24-01

REPAIR 2-1

01.1

Page 601

Sep 01/94

RAIL ASSEMBLY – REPAIR 3-1

413T3045-7, -8

NOTE: Refer to REPAIR-GEN for a list of applicable standard practices. Refer to IPL Fig. 1 for item numbers.

1. Rack Replacement (Fig. 601)

A. Remove damaged rack (136A, 137A) from rail assembly (132A, 135A).

CAUTION: DO NOT LET ADHESIVE FLOW INTO BUTT JOINT AREA OR GEAR TEETH.

B. Bond a replacement rack to rail (136, 137) with type 82 adhesive per 20-50-12.

2. Coating Repair

A. Repair is only replacement of the original finish. Refer to Refinish instructions, Fig. 601 for details.

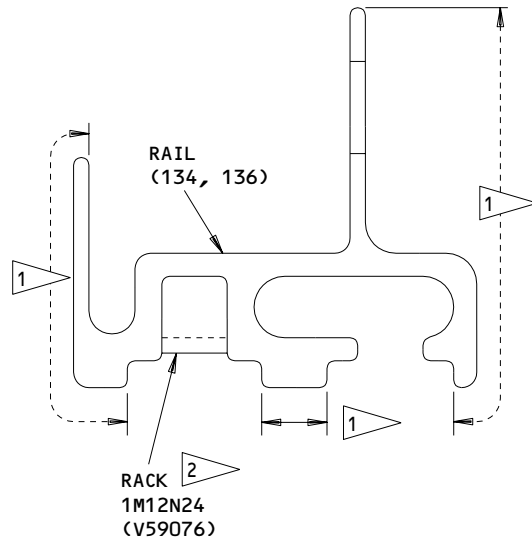
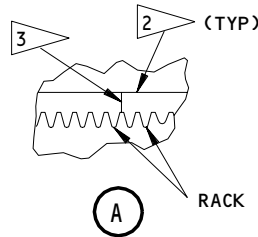
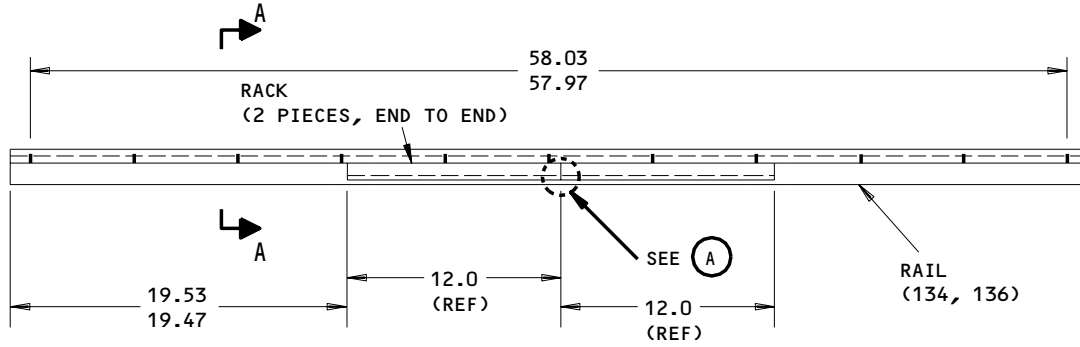
25-24-01

REPAIR 3-1

01.1

Page 601

Sep 01/94



REFINISH

APPLY COARSE GRAIN BUFF SATIN FINISH LONGITUDINALLY (F-14.25) TO AREAS SHOWN BY 1

- 1 FINISH THESE SURFACES ONLY
- 2 BOND WITH TYPE 82 ADHESIVE
- 3 NO ADHESIVE ON END FACES

MATERIAL: AL ALLOY
 (RAIL 134, 136)

ITEM NUMBERS REFER TO IPL FIG. 1
 ALL DIMENSIONS ARE IN INCHES

413T3045-7,-8
 Rail Repair and Refinish
 Figure 601

25-24-01

REPAIR 3-1

Page 602

Sep 01/94

01.1

MISCELLANEOUS PARTS REFINISH – REPAIR 4-1

1. Repair of parts listed in Fig. 601 is only replacement of the original finish. Refer to REPAIR-GEN for a list of applicable standard practices.

IPL FIG. & ITEM	MATERIAL	FINISH
<u>Fig. 1</u>		
Bracket (27,264, 321,381,402,408, 414,417,474,480, 489,495,504,552, 588,594,609,612, 636,642,648,711, 717,723,738) Fitting (276,336, 582), Plate 357 375), Filler (606) Angle (184N, 901)	Al alloy	Chemical treat and apply BMS 10-11, type 1 primer all over (F-18.06).
Plate (81)	Al alloy	Chemical treat and apply BMS 10-11, type 1 primer all over (F-18.06). Apply BMS 10-83, type 2 enamel (color per airline color scheme) all over (F-22.06-XXX).
Plate (279)	Al alloy	Chemical treat per MIL-C-5541 (colored film) and apply 1 coat BMS 10-11, type 1 primer all over (F-18.06). Apply 1 coat BMS 10-83, type 1 primer and type 2 enamel (color per airline color scheme) all over (F-22.05-XXX).
Spacer (87), Zee Assy (297)	Al alloy	Apply BMS 10-83, type 1 primer and type 2 enamel (color per airline color scheme) all over (F-22.05-XXX).

Refinish Details
 Figure 601 (Sheet 1)

25-24-01

REPAIR 4-1

01.1

Page 601

Sep 01/94

IPL FIG. & ITEM	MATERIAL	FINISH
Hinge Assy (99), Trim (102,105, 108,111,126,141, 171,174,177,246 249,252,255,292, 360,366,369,483, 516,522,531,627, 630,654,660,753), Plate (234),	Al alloy	Apply coarse grain buff satin finish longitudinally on all visible surfaces (F-14.25).
Zee (306), Bracket (468), Fitting (570) Angle (182)	Al alloy	Chromic acid anodize and apply BMS 10-11, type 1 primer (F-18.13).
Strike (396)	17-4PH CRES	Passivate (F-17.09).
Strike (396)	4340 Steel 125-145 ksi	Cadmium plate (F-15.02).
Coat Rod (453,454)	Al alloy	Etch to obtain a non-directional surface finish then sulfuric acid anodize all over (F-14.2992).
Striker Plate (510)	301 CRES 180-200 ksi	Apply coarse grain satin finish longitudinally using (F-14.80).
Gear post (222)	15-5PH CRES	Passivate (F-17.09).
Cover (186A,183S, 889) Housing (186N 184G,904)	Al alloy	Chemical treat and apply BMS 10-11, type 1 primer (F-18.05).

Refinish Details
 Figure 601 (Sheet 2)

25-24-01

REPAIR 4-1

01.1 Page 602

Sep 01/94


BOEING
 COMPONENT
 MAINTENANCE MANUAL

IPL FIG. & ITEM	MATERIAL	FINISH
Catch (186G,898)	15-5PH CRES 180-200 ksi	Passivate (F-17.09) and apply directional finish in direction of arrow (F-14.802) all over, then fill arrow with BMS 10-11, type 1 primer (F-20.02) and BMS 10-83 type 2 enamel (F-22.06-896).
Latch (184)	17-4PH CRES	Passivate (F-17.09) and apply directional satin finish (F-14.80) in longitudinal direction of portion of latch which is exposed.

Refinish Details
 Figure 601 (Sheet 3)

25-24-01

REPAIR 4-1

01.1

Page 603

Sep 01/94

ASSEMBLY

CAUTION: THE CLOSET ASSEMBLY INCLUDES APPEARANCE ITEMS. BE CAREFUL NOT TO DAMAGE SURFACES THAT THE PASSENGERS WILL SEE.

1. Assembly (IPL Fig. 1)

NOTE: Use standard industry practices and these steps for assembly of this component.

A. Door (144, 188) installation and adjustment (Fig. 701).

- (1) Loosen screws (129) and move rail assemblies (132A, 135A) as far apart as possible.

NOTE: Refer to the vendor (V62063) instructions for installation and adjustment procedures of track assembly (919).

- (2) Set door (144) into position with lower edge even with lower edge of door (188).
- (3) Set door (188) in position on inner track of rails with lower door edge at bottom of closet. Allow door guides (192) to hold door in position.
- (4) Loosen screw (228) and adjust spur gears (225) to mesh with door (144) gear racks with minimum backlash. Lock spur gears in place by tightening screws (228).
- (5) Move rail assembly (132A) 2.05 to 2.11 inch in from edge of closet and tighten screws (129) in rail assembly (132A).
- (6) Adjust rail assembly (135A) at bottom of opening to mesh with spur gear (225) with minimum amount of backlash. Tighten lowest screw (129) in rail assembly (135A).
- (7) Cycle doors to top of opening and adjust rail assembly (135A) to mesh with spur gear with minimum amount of backlash, keeping rail assemblies (132A, 135A) parallel. Tighten remaining screws (129).
- (8) Cycle doors up and down in rails and check for smooth operation. Repeat steps (6) and (7) as necessary to attain smooth operation.

NOTE: Doors should remain stationary or creep down very slowly when left at any position with closet in a vertical position.

25-24-01ASSEMBLY
Page 701
Sep 01/94

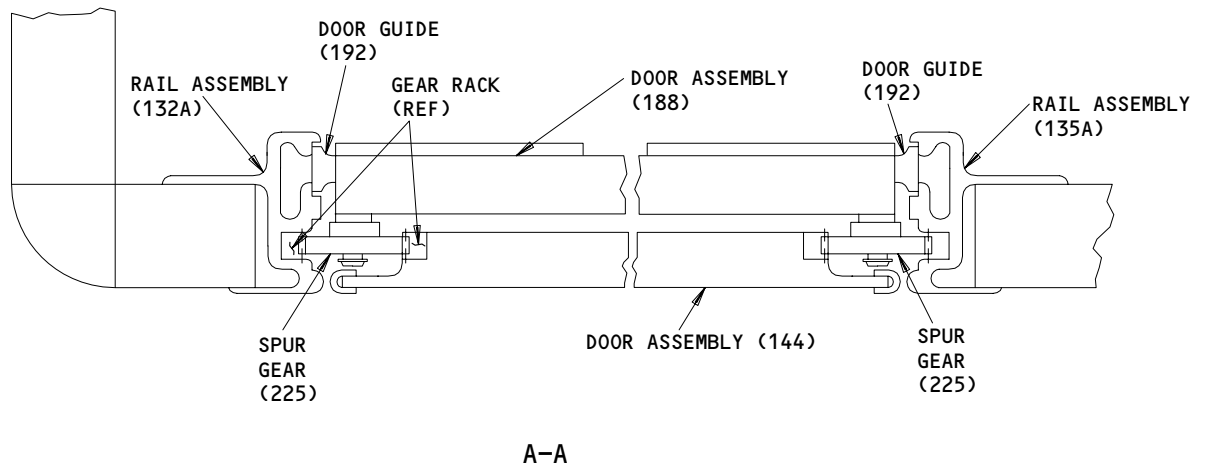
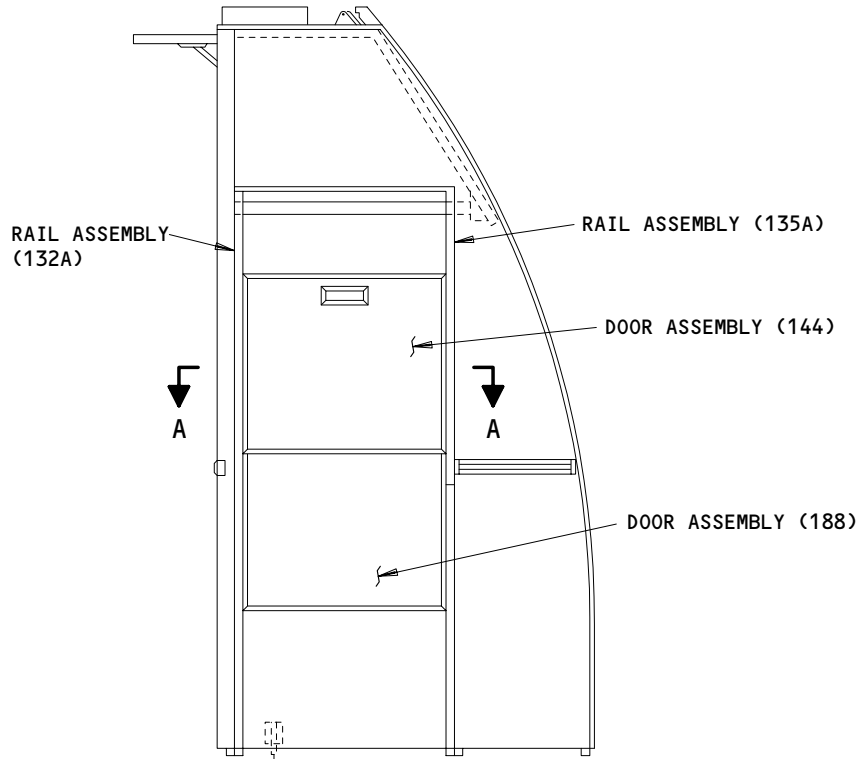
01.1

B. Adjust door latches

- (1) Open door assy (90 or 144) and measure distance (x) from edge of door assembly (90) to end of latch (120) or from panel assembly (420) to end of latch (396) (Fig. 702).
- (2) Close door and measure gap (y) between door and panel assembly (Fig. 702).
- (3) Subtract gap (y) from distance (x). The difference should be at least 0.12 inches.
- (4) If difference is less than 0.12 inches:
 - (a) Adjust latch (120) vertically to attain sufficient latch engagement.
 - (b) Adjust set screw in latch assy (181) (Fig. 702) to attain sufficient latch engagement.

25-24-01ASSEMBLY
Page 702
Jan 01/88

01.1

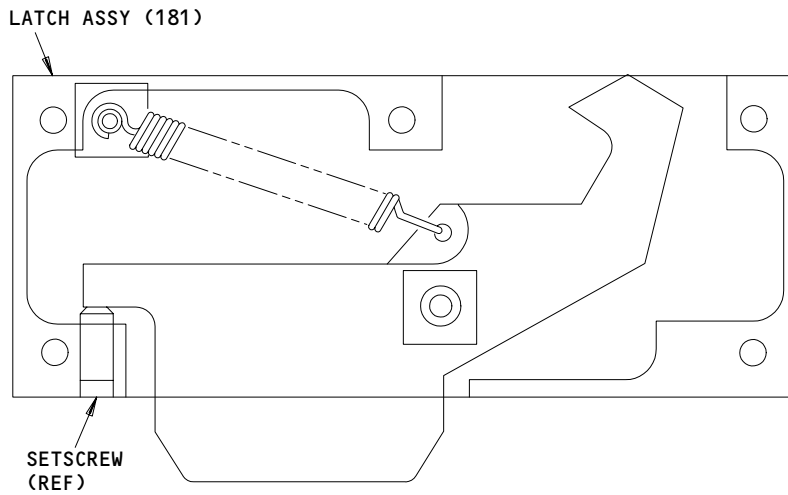
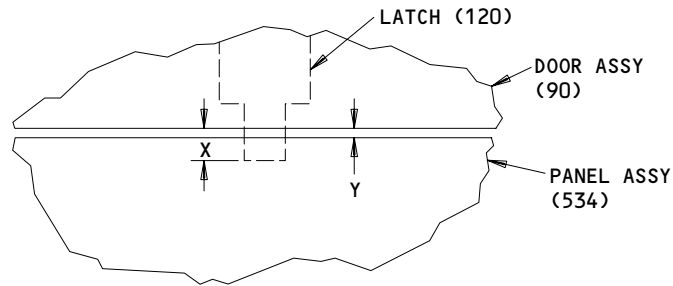
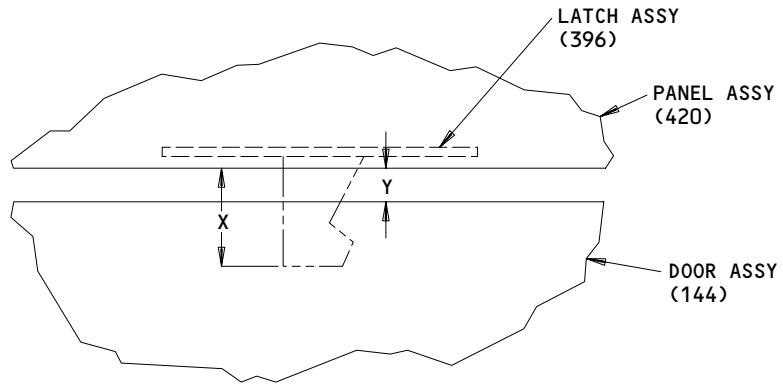


Door Alignment
Figure 701

25-24-01

ASSEMBLY
Page 703
Apr 01/91

01.1



Latch Adjustment
 Figure 702

25-24-01

ASSEMBLY
 Page 704
 Jan 01/88

01.1

ILLUSTRATED PARTS LIST

1. This section lists and illustrates replaceable or repairable component parts. The Illustrated Parts Catalog contains a complete explanation of the Boeing part numbering system.

2. Indentures show parts relationships as follows:

Assembly

Detail Parts for Assembly

Subassembly

Attaching Parts for Subassembly

Detail Parts for Subassembly

Detail Installation Parts (Included only if installation parts may be returned to shop as part of assembly)

3. One use code letter (A, B, C, etc.) is assigned in the EFF CODE column for each variation of top assembly. All listed parts are used on all top assemblies except when limitations are shown by use code letter opposite individual part entries.

4. Letter suffixes (alpha-variants) are added to item numbers for optional parts, Service Bulletin modification parts, configuration differences (Except left- and right-hand parts), product improvement parts, and parts added between two sequential item numbers. The alpha-variant is not shown on illustrations when appearance and location of all variants of the part is the same.

5. Service Bulletin modifications are shown by the notations PRE SB XXXX and POST SB XXXX.

A. When a new top assembly part number is assigned by Service Bulletin, the notations appear at the top assembly level only. The configuration differences at detail part level are then shown by use code letter.

B. When the top assembly part number is not changed by the Service Bulletin, the notations appear at the detail part level.

6. Parts Interchangeability

Optional
(OPT)

The parts are optional to and interchangeable with other parts having the same item number.

Supersedes, Superseded By
(SUPSDS, SUPSD BY)

The part supersedes and is not interchangeable with the original part.

Replaces, Replaced By
(REPLS, REPLD BY)

The part replaces and is interchangeable with, or is an alternate to, the original part.

25-24-01

ILLUSTRATED PARTS LIST

01.1 Page 1001

Jan 01/88

7. Boeing Proprietary Color Coded Parts

Color coded parts are identified with an alpha "SP" suffix. This entry represents consolidation of all color codes applicable for a given usage. Orders for color coded parts should include the registry number of the airplane for which the parts are ordered.

25-24-01

ILLUSTRATED PARTS LIST

01.1 Page 1002

Jan 01/88

**BOEING**
COMPONENT
MAINTENANCE MANUALVENDORS

02768 ILLINOIS TOOL WORKS INC. FASTEX DIV
195 ALGONQUIN ROAD
DES PLAINES, ILLINOIS 60016-6103

04169 WESTERN SKY INDUSTRIES A DIVISION OF ATLAS CORPORATION
21300 CLOUD WAY
HAYWARD, CALIFORNIA 94545-1217

0625B SEE V4N374

06710 LAMSON AND SESSIONS CO THE VALLEY-TODECO
12975 BRADLEY AVENUE
SYLMAR, CALIFORNIA 91342-3830

06725 AIR INDUSTRIES CORPORATION
12570 KNOTT STREET
GARDEN GROVE, CALIFORNIA 92641-3932

06950 SCREWCORP VSI AEROSPACE PRODUCTS DIV FAIRCHILD IND DIV
13001 EAST TEMPLE AVENUE PO BOX 730
CITY OF INDUSTRY, CALIFORNIA 91746-1417

11815 CHERRY AEROSPACE FASTENERS DIV OF TEXTRON
1224 EAST WARNER AVENUE PO BOX 2157
SANTA ANA, CALIFORNIA 92707-0157

15653 MICRODOT INC AEROSPACE FASTENING SYS KAYNAR MFG DIV
800 SOUTH STATE COLLEGE BLVD PO BOX 3001
FULLERTON, CALIFORNIA 92634-3001

17744 GULTON INDUSTRIES INC LUMINATOR DIV
1200 E PLANO PKWY
PLANO, TEXAS 75074-8522

17943 FEDERAL MANUFACTURING CORPORATION
9825 DESOTO AVENUE
CHATSWORTH, CALIFORNIA 91311

27045 SEE V80477 ADAMS RITE SABRE INTL

27624 PB FASTENERS DIV OF BRILES PAUL R
1700 WEST 132ND STREET
GARDENA, CALIFORNIA 90249

29372 REXNORD INC TRIDAIR INDUSTRIES
3000 WEST LOMITA BLVD
TORRANCE, CALIFORNIA 90505-5103

25-24-01ILLUSTRATED PARTS LIST
01.1 Page 1003
Sep 01/94

VENDORS

31272 AN CRA CORPORATION
4880 ROSECRANS AVENUE
HAWTHORNE, CALIFORNIA 90250

31845 SEALTH AERO-MARINE CO
16001 MILL CREEK BLVD SOUTHEAST
MILL CREEK, WASHINGTON 98012

34941 HARPER ENGINEERING COMPANY
200 SOUTH TOBIN STREET
RENTON, WASHINGTON 98055-1307

52828 REPUBLIC FASTENER MFG CORP
1300 RANCHO CONEJO BLVD
NEWBURY PARK, CALIFORNIA 91320-1405

56878 SPS TECHNOLOGIES INC AEROSPACE AND INDUSTRIAL PRODUCTS DIV
HIGHLAND AVENUE
JENKINTOWN, PENNSYLVANIA 19046

59076 DESIGNATRONICS INC STOCK DRIVE PRODUCTS DIV
55 SOUTH DENTON AVENUE
NEW HYDE PARK, NEW YORK 11040-4901

62063 MARKETING MASTERS
1400 19TH AVENUE NORTHWEST
ISSAQUAH, WASHINGTON 98027-5330

71087 BOOTS ACFT NUT DIV TOWNSEND CO SEE TEXTRON INC CHERRY
FASTENER TOWNSEND DIV V11815

72962 ELASTIC STOP NUT A DIV OF HARTFORD INDUSTRIES INC
2330 VAUXHALL ROAD
UNION, NEW JERSEY 07083-5038

80539 SPS TECHNOLOGIES INC AEROSPACE PRODUCTS DIV
2701 SOUTH HARBOR BOULEVARD PO BOX 1259
SANTA ANA, CALIFORNIA 92702-1259

85495 BRILES MFG CO SEE OMARK INDUSTRIES
PRECISION FASTENING SUB OF OMARK IND INC SEE DEUTSCH
FASTENER CORP V08524

92215 VOI-SHAN DIV OF VSI CORP SUB OF FAIRCHILD INDUSTRIAL INC
8463 HIGUERA STREET
CULVER CITY, CALIFORNIA 90230

25-24-01

ILLUSTRATED PARTS LIST
01.1 Page 1004
Sep 01/94

VENDORS

97393	SHUR-LOK CORPORATION 2541 WHITE ROAD PO BOX 19584 IRVINE, CALIFORNIA 92713
97928	DEUTSCH FASTENER CORP 3969 PARAMONT BOULEVARD LAKEWOOD, CALIFORNIA 90712-4193

25-24-01

ILLUSTRATED PARTS LIST
01.1 Page 1005
Sep 01/94

PART NUMBER	AIRLINE PART NO.	FIG.	ITEM	TTL REQ
AN960C10L		1	216	2
AN960JD10L		1	6A	4
		1	21A	2
		1	130	22
		1	310A	8
		1	315A	7
		1	330A	2
		1	444A	2
		1	576A	2
		1	600A	5
		1	856	22
AN960JD416L		1	60A	4
AN960JD8L		1	393A	2
AN960PD10L		1	231	2
		1	330	2
AN960PD6L		1	792	2
		1	801	2
BACB28X4C008		1	13	1
BACB28X6C008		1	14	1
BACB30LH3-16		1	564A	9
		1	699A	9
BACB30LM3SU21		1	327	2
		1	573	2
BACB30LU3-8		1	282	14
BACB30LU3-9		1	270A	9
BACN10JC3		1	333	2
BACN10JR3		1	465	4
BACN10JR3F		1	303	14
BACR15BA3AD		1	300	28
		1	462	8
BACR15BA3D		1	184S	5
		1	880	5
BACR15BA5A		1	78	2
BACR15BX6-3		1	771	8
BACR15DR3		1	507	2
BACR15FT6D4		1	463B	4
BACS40R004C025F		1	397	4
BAC27TPPS0205		1	828	1
BAC27TPPS0208		1	822	1
BAC27TPPS0221		1	825	1
BAC27TPPS4003		1	819	1
BAC27TPPS4005		1	816	1
BAC29PPS15252		1	830	1

25-24-01

 ILLUSTRATED PARTS LIST
 01.1 Page 1006
 Sep 01/94


BOEING
 COMPONENT
 MAINTENANCE MANUAL

PART NUMBER	AIRLINE PART NO.	FIG.	ITEM	TTL REQ
BAC29PPS15260		1	826	3
		1	835	1
BAC29PPS15268		1	832	1
BAC29PPS15328		1	825C	1
BAC29PPS4682		1	828A	1
BAC29PPS4683		1	822A	1
BAC29PPS5791		1	825B	1
BCREF7002		1	771	8
BCREF9492		1	663B	6
BRF200A3		1	303	14
BRH10A3		1	333	2
BR2000A3		1	465	4
F5000-3BAC		1	303	14
GARD1005-7		1	862	3
		1	865	1
GAR1005		1	919	1
G8100-1		1	225	2
H10-3BAC		1	333	2
H2-1061-1		1	528	1
IM12N24		1	136A	1
		1	137A	1
K1000-3BAC		1	465	4
L18366-12		1	807	1
MDB1007		1	907B	1
MS16633-4018		1	219	2
MS18065-10		1	183N	1
		1	185S	1
		1	895	1
MS20392-3C37		1	57	3
		1	58	1
MS20392-4C37		1	58A	1
MS20426D3		1	182N	5
MS21042L3		1	9A	4
		1	24A	2
		1	273A	9
		1	318A	7
		1	333A	2
		1	447A	2
		1	567A	9
		1	579A	2
		1	603A	5

25-24-01

 ILLUSTRATED PARTS LIST
 01.1 Page 1007
 Sep 01/94

PART NUMBER	AIRLINE PART NO.	FIG.	ITEM	TTL REQ
MS21209C0610		1	159	8
		1	201	8
MS24585-1063		1	167A	4
		1	210A	4
MS24586-525		1	183A	1
		1	185G	1
		1	892	1
MS24665-134		1	54	4
MS51021-118		1	147A	8
		1	189A	8
NAS1368N12D		1	742	2
NAS1368N8D		1	741A	2
		1	748	2
NAS1801-06-4		1	789	2
		1	798	2
NAS1834A3-1000		1	618	12
		1	693	4
		1	762	6
NAS1834A3-530		1	117	2
NAS1834A3K1000		1	696	9
		1	732	9
NAS1834A3K1290		1	682	4
NAS1834A3K500		1	288A	23
NAS1834A3K540		1	117A	2
NAS1834A3K560		1	288B	23
NAS1834A3K580		1	288	23
NAS1835A3		1	123	7
		1	291	10
		1	423	94
		1	424	2
		1	540	79
		1	558	24
		1	621	7
		1	678	7
		1	687	79
		1	705	21
		1	729	21
		1	747	32
		1	759	16

25-24-01

 ILLUSTRATED PARTS LIST
 01.1 Page 1008
 Sep 01/94


BOEING
 COMPONENT
 MAINTENANCE MANUAL

PART NUMBER	AIRLINE PART NO.	FIG.	ITEM	TTL REQ
NAS1836-06-09		1	876	2
NAS1836-06-12		1	426	1
		1	543	1
NAS1836-06-16		1	429	2
		1	561	2
		1	681	3
		1	690	7
		1	876B	2
NAS1836-08-12		1	432	2
NAS1836-14		1	916	16
NAS1836-3-14		1	874	16
NAS1836-3-16		1	237	2
NAS1836A08-12		1	432A	2
NAS514P1032-12		1	114	2
NAS514P1032-26P		1	673A	4
NAS514P1032-7		1	93	5
		1	138	4
		1	354	2
		1	363A	14
		1	513	6
		1	519	4
		1	525	4
		1	537	5
		1	624	14
		1	750	13
		1	859	16
		1	871	8
		1	913	8
NAS514P1032-8		1	93A	5
		1	96	5
NAS514P632-3P		1	651	3
NAS514P632-3P		1	657	7
NAS514P632-4		1	168	8
		1	243	16

25-24-01

ILLUSTRATED PARTS LIST

01.1

Page 1009

Sep 01/94

PART NUMBER	AIRLINE PART NO.	FIG.	ITEM	TTL REQ
NAS514P632-5		1	875	2
NAS514P632-6		1	72	2
		1	213	2
NAS514632-8		1	553	2
NAS557-6A		1	804	1
NAS602-6P		1	390	2
NAS603-10P		1	396B	2
NAS603-6		1	525A	4
NAS603-6P		1	46	4
		1	267A	3
		1	295	14
		1	351A	4
		1	372	10
		1	399A	18
		1	405A	10
		1	411J	20
		1	456A	4
		1	471A	10
		1	477A	32
		1	486A	4
		1	492A	6
		1	498A	6
		1	526	9
		1	547	10
		1	549A	20
		1	585A	10
		1	591A	4
		1	633A	10
		1	639A	14
		1	708A	14
		1	714J	16
		1	735A	10

25-24-01

 ILLUSTRATED PARTS LIST
 01.1 Page 1010
 Sep 01/94


BOEING
 COMPONENT
 MAINTENANCE MANUAL

PART NUMBER	AIRLINE PART NO.	FIG.	ITEM	TTL REQ	
NAS603-7P		1	36	8	
		1	45	7	
		1	69	2	
		1	129	22	
		1	261	14	
		1	267	3	
		1	294	14	
		1	309	8	
		1	351	4	
		1	378	2	
	NAS603-7P		1	399	18
			1	405	10
			1	411	22
			1	438	8
		1	456	4	
		1	471	10	
		1	477	32	
		1	486	4	
		1	492	6	
		1	498	6	
		1	549	20	
		1	585	10	
		1	591	4	
		1	633	10	
	1	639	14		
	1	645	6		
	1	708	14		
	1	714	12		
	1	720	6		
	1	735	10		
	1	853	22		

25-24-01

ILLUSTRATED PARTS LIST

01.1

Page 1011

Sep 01/94

PART NUMBER	AIRLINE PART NO.	FIG.	ITEM	TTL REQ
NAS603-8P		1	37	7
		1	47	3
		1	438A	8
		1	439	4
NAS603-9P		1	228	2
NAS6603-18		1	3	4
		1	15	2
		1	312	7
NAS6603-20		1	597	5
		1	327B	2
NAS6603-21		1	573B	2
		1	327A	2
NAS6603-22P		1	573A	2
		1	501	2
NAS6603-6P		1	672	2
NAS6603-6P		1	354A	2
NS103202-02		1	465	4
NS103203-02		1	303	14
NS202101-02		1	333	2
RMA9201-3		1	465	4
RMF9201-3		1	303	14
RMLH9075-3W		1	333	2
SAM223-11		1	120	1
SL2334-06A3		1	429B	2
SL2334-06A3		1	554A	2
SL2334-08A5		1	561B	2
		1	690B	7
		1	426B	1
SL2334-3A3		1	544A	1
		1	432D	2
		1	874A	16
		1	916A	16

25-24-01

 ILLUSTRATED PARTS LIST
 01.1 Page 1012
 Sep 01/94


BOEING
 COMPONENT
 MAINTENANCE MANUAL

PART NUMBER	AIRLINE PART NO.	FIG.	ITEM	TTL REQ	
SL2334-3A5		1	291A	10	
		1	423A	73	
		1	541	72	
		1	558A	24	
		1	559	5	
		1	621A	7	
		1	688	61	
		1	705A	21	
		1	730	18	
		1	749	32	
		1	759A	16	
		1	765A	5	
	SL2748-06S		1	180A	8
			1	258A	16
	SL2868S3-1000		1	546	5
			1	765	5
SL3579A3		1	84	1	
S1031-9		1	554	1	
T6S1032J		1	333	2	
T8088S1032		1	465	4	
T8091S1032		1	303	14	
VN102A1-02		1	465	4	
VN152A1-02		1	303	14	
VN303A02		1	333	2	
201-120911-00-0		1	663B	6	
2055144		1	387	1	
2400-2113-2113		1	919	1	
286T1178-1		1	813	1	
412T2035-1		1	12	1	
412T2035-2		1	14G	1	
413N3109-78		1	181A	1	
		1	877	1	
413N3109-79		1	186G	1	
		1	898	1	
413N3109-80		1	184N	2	
		1	901	2	
413T2009-91		1	495	1	
413T2009-92		1	489	1	
413T2015-63		1	99	1	
413T2015-64		1	101	1	
413T2015-65		1	100M	1	
413T2015-66		1	100	1	

25-24-01

 ILLUSTRATED PARTS LIST
 01.1 Page 1013
 Sep 01/94

PART NUMBER	AIRLINE PART NO.	FIG.	ITEM	TTL REQ
413T2034-10		1	675A	1
413T2034-2		1	675	1
413T3004-4		1	187	1
		1	907	1
413T3004-9		1	907A	1
413T3022-1		1	75	1
413T3022-2		1	81	1
413T3022-8		1	87	1
413T3023-12SP		1	276A	1
413T3023-17SP		1	582	1
413T3023-27SP		1	336	1
413T3023-29SP		1	276	1
413T3023-78SP		1	336A	1
413T3024-37		1	510	1
413T3027-259SP		1	39A	1
413T3027-296SP		1	51A	1
413T3027-309SP		1	42A	1
413T3027-31SP		1	42	1
413T3027-32SP		1	51	1
413T3027-33SP		1	39	1
413T3027-34SP		1	48	1
413T3030-209SP		1	90A	1
413T3030-36SP		1	90	1
413T3030-37		1	105	1
413T3030-38		1	108	1
413T3030-39		1	102	1
413T3030-40		1	111	1
413T3041-3		1	324	1
413T3042-33SP		1	321	1
413T3042-5		1	27	1
413T3042-53SP		1	459	1
413T3042-55		1	468	1
413T3045-1		1	177	2
413T3045-4		1	136	1
413T3045-5		1	137	1
413T3045-7		1	132A	1
413T3045-8		1	135A	1
413T3046-1		1	240	2
413T3046-2		1	234	2
413T3046-3		1	153	2
		1	195	2
413T3046-4		1	156	2
		1	198	2
413T3046-5		1	162	2
		1	204	2
413T3046-6		1	165	2
		1	207	2

25-24-01

 ILLUSTRATED PARTS LIST
 01.1 Page 1014
 Sep 01/94


BOEING
 COMPONENT
 MAINTENANCE MANUAL

PART NUMBER	AIRLINE PART NO.	FIG.	ITEM	TTL REQ
413T3046-7		1	222	2
413T3046-8		1	150	4
		1	192	4
413T3047-1		1	181	1
413T3047-2		1	182	2
413T3048-1SP		1	144	1
413T3048-10		1	252	1
413T3048-11		1	255	1
413T3048-12		1	246	1
413T3048-13		1	249	1
413T3048-2SP		1	188	1
413T3048-22SP		1	868	1
413T3048-23SP		1	910A	1
413T3048-27SP		1	868A	1
413T3048-8		1	171	1
413T3048-9		1	174	1
413T3049-1SP		1	615	1
413T3049-10SP		1	756	1
413T3049-11SP		1	555	1
413T3049-3SP		1	285	1
413T3049-68		1	292	1
413T3049-69SP		1	744	1
413T3049-73SP		1	285A	1
413T3049-80SP		1	756A	1
413T3049-81SP		1	615A	1
413T3049-83SP		1	555A	1
413T3049-85SP		1	744A	1
413T3049-88SP		1	285B	1
413T3050-1SP		1	534	1
413T3050-75SP		1	534A	1
413T3051-10SP		1	408	1
413T3051-101		1	396J	1
413T3051-103SP		1	504B	1
413T3051-105		1	630A	1
413T3051-12SP		1	381	1
413T3051-16SP		1	402	1
413T3051-2		1	753	1
413T3051-20SP		1	548	1
		1	738	1
413T3051-21		1	141	1
413T3051-23SP		1	717	1
413T3051-24SP		1	642	1
413T3051-25SP		1	552	2
413T3051-26SP		1	636	1
413T3051-27SP		1	711	1

25-24-01

ILLUSTRATED PARTS LIST

01.1

Page 1015

Sep 01/94

PART NUMBER	AIRLINE PART NO.	FIG.	ITEM	TTL REQ
413T3051-29		1	630	1
413T3051-3SP		1	474	1
413T3051-32SP		1	648	1
		1	723	1
413T3051-34SP		1	264	1
413T3051-36SP		1	504	1
413T3051-4SP		1	588	1
413T3051-5SP		1	480	8
		1	594	1
413T3051-52SP		1	375	1
413T3051-53SP		1	417	1
413T3051-54SP		1	414	1
413T3051-6		1	606	1
413T3051-7SP		1	609	1
413T3051-76		1	306	2
413T3051-77		1	297	2
413T3051-8SP		1	612	1
413T3051-9SP		1	357	1
413T3051-90SP		1	459A	1
413T3051-91SP		1	469	1
413T3051-92SP		1	717J	4
413T3051-93SP		1	417J	5
413T3052-1SP		1	420	1
413T3052-67SP		1	420A	1
413T3052-87SP		1	420B	1
413T3053-3SP		1	570	1
413T3053-5		1	279	2
413T3054-1SP		1	684	1
413T3054-4SP		1	726	1
413T3054-53SP		1	684A	1
413T3054-54SP		1	726A	1
413T3054-9SP		1	702	1
413T3055-1SP		1	669A	1
413T3055-7SP		1	669B	1
413T3057-1SP		1	850	1

25-24-01

 ILLUSTRATED PARTS LIST
 01.1 Page 1016
 Sep 01/94


BOEING
 COMPONENT
 MAINTENANCE MANUAL

PART NUMBER	AIRLINE PART NO.	FIG.	ITEM	TTL REQ
413T3057-2		1	862	3
413T3057-3		1	865	1
413T3057-4		1	919	1
413T3057-5SP		1	850A	1
413T3057-6		1	862A	3
413T3057-7		1	865A	1
413T3057-8		1	919A	1
413T3057-9SP		1	850B	1
413T3060-1SP		1	1	RF
413T3060-12		1	126	1
413T3060-13		1	531	1
413T3060-14		1	516	1
413T3060-15		1	522	1
413T3060-16		1	483	1
413T3060-17		1	660	1
413T3060-18		1	654	1
413T3060-2SP		1	666	1
413T3060-21SP		1	1A	RF
413T3060-22SP		1	1B	RF
413T3060-23SP		1	1C	RF
413T3060-25SP		1	1D	RF
413T3060-27SP		1	1E	RF
413T3060-3		1	366	1
413T3060-4		1	360	1
413T3060-5		1	369	1
413T3060-6		1	627	1
413T3167-1SP		1	480A	8
		1	594A	1
413T3169-232SP		1	534B	1
413T3169-233SP		1	684B	1
413T3169-234SP		1	420C	1
413T3169-235SP		1	285C	1
413T3169-236SP		1	615B	1
413T3169-237SP		1	744B	1
413T3169-238SP		1	756B	1

25-24-01

ILLUSTRATED PARTS LIST

01.1

Page 1017

Sep 01/94

PART NUMBER	AIRLINE PART NO.	FIG.	ITEM	TTL REQ
413T3169-239SP		1	555B	1
413T3169-240SP		1	726B	1
413T3169-241SP		1	702A	1
413T3169-249SP		1	675B	1
413T3619-661SP		1	90B	1
413T3619-663SP		1	868B	1
413T3619-664SP		1	910B	1
413T3702-1SP		1	30A	2
		1	33	2
413T3702-3SP		1	30	2
413U3165-152		1	292B	1
413U3165-18		1	360A	1
413U3165-18		1	483B	1
413U3165-30		1	483A	1
413U3165-4		1	283	1
413U3165-41		1	661	1
413U3165-42		1	454	1
413U3165-49		1	369B	1
		1	753C	1
413U3165-55		1	532	4
413U3165-6		1	109A	1
		1	366A	1
		1	381A	1
		1	627A	1
413U3165-60		1	522A	1
413U3165-75		1	369A	1
		1	753A	1
413U3165-81		1	366B	1
417T5022-1		1	810	1
417T5035-1		1	795	1
417T5125-1		1	768	1
417T5125-4		1	774	1
417T5125-5		1	777	1
417T5125-6		1	780	1
417T5125-7		1	783	1

25-24-01

 ILLUSTRATED PARTS LIST
 01.1 Page 1018
 Sep 01/94


BOEING
 COMPONENT
 MAINTENANCE MANUAL

PART NUMBER	AIRLINE PART NO.	FIG.	ITEM	TTL REQ
42329-10		1	66	2
42952-11		1	63A	1
501300-1		1	61	1
		1	63	1
60B50041-2		1	786A	1
69B51600-1		1	182G	1
69B51600-2		1	183S	1
		1	186A	1
		1	889	1
69B51600-3		1	182S	1
		1	185	1
		1	883	1
69B51600-4		1	183G	1
		1	185N	1
		1	886	1
69B51629-1		1	184G	1
		1	186N	1
		1	904	1
69B51630-1		1	396	1
69B51631-1		1	184	1
69B51689-3		1	450A	2
69B51689-3		1	451	1
		1	467	1
96-02		1	333	2

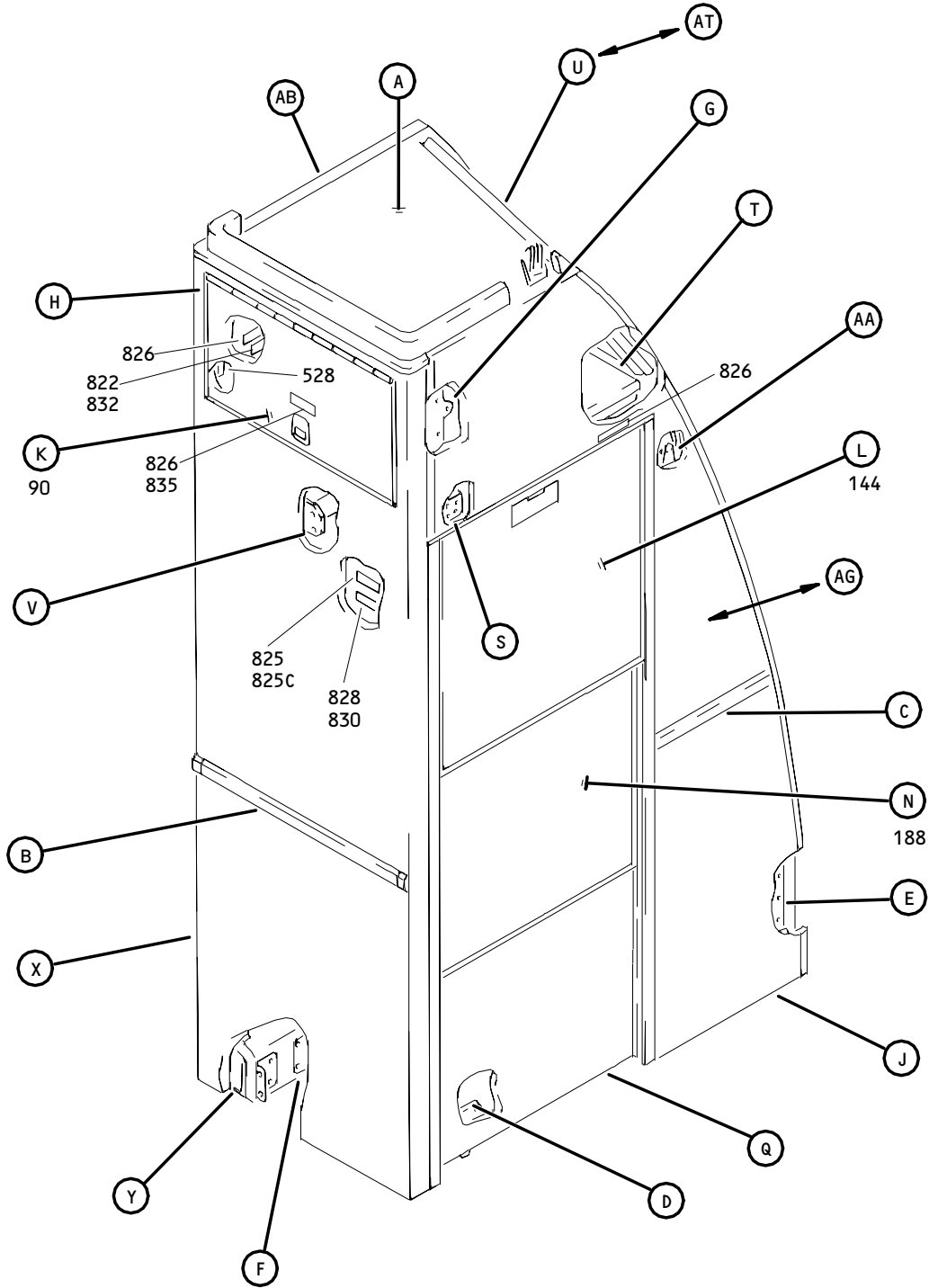
25-24-01

ILLUSTRATED PARTS LIST

01.1

Page 1019

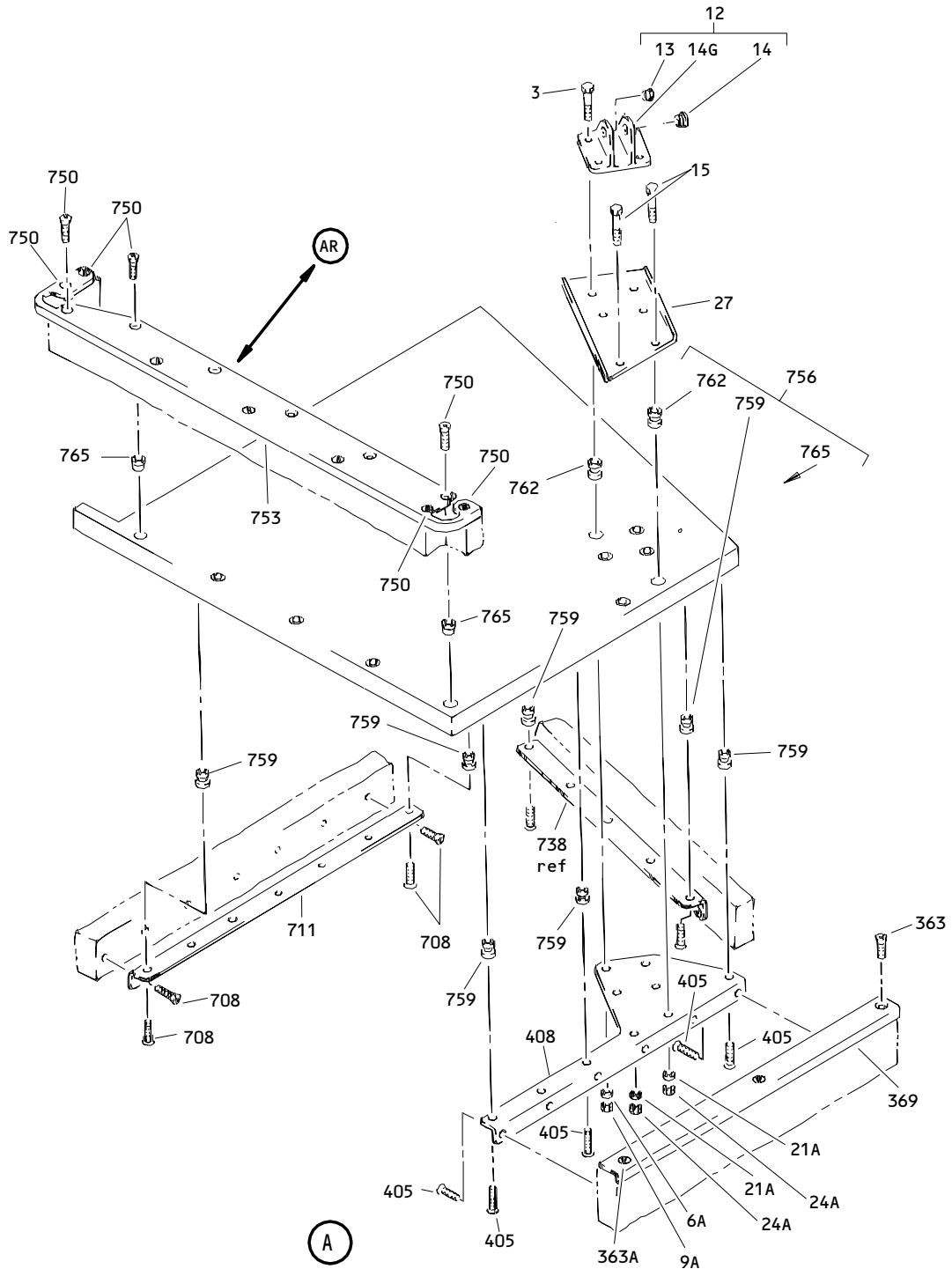
Sep 01/94



Outboard Forward Left Hand Closet Assembly
 Figure 1 (Sheet 1)

25-24-01

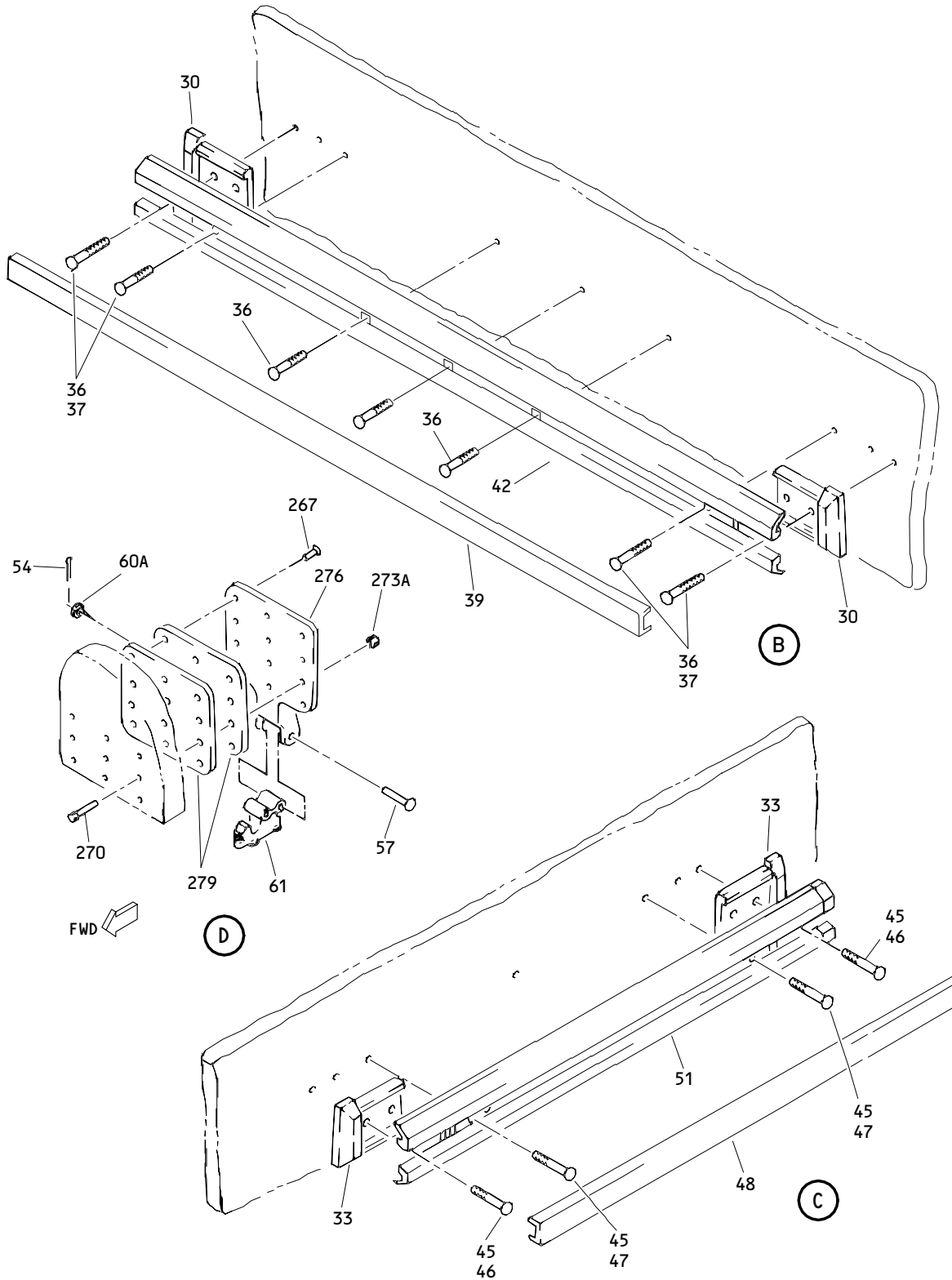
ILLUSTRATED PARTS LIST
 01.1 Page 1020
 Sep 01/94



Outboard Forward Left Hand Closet Assembly
 Figure 1 (Sheet 2)

25-24-01

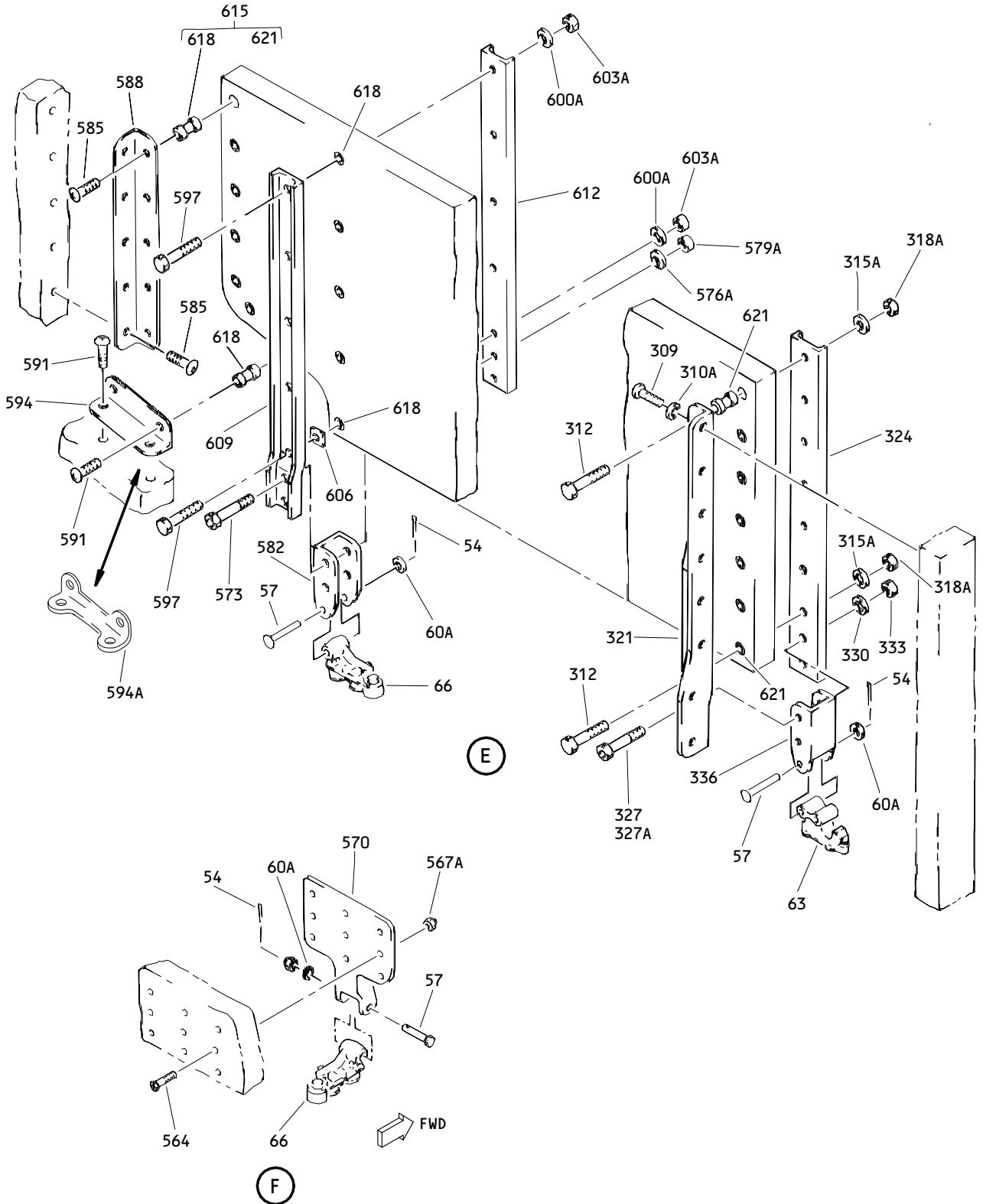
ILLUSTRATED PARTS LIST
 01.1 Page 1021
 Sep 01/94



Outboard Forward Left Hand Closet Assembly
 Figure 1 (Sheet 3)

25-24-01

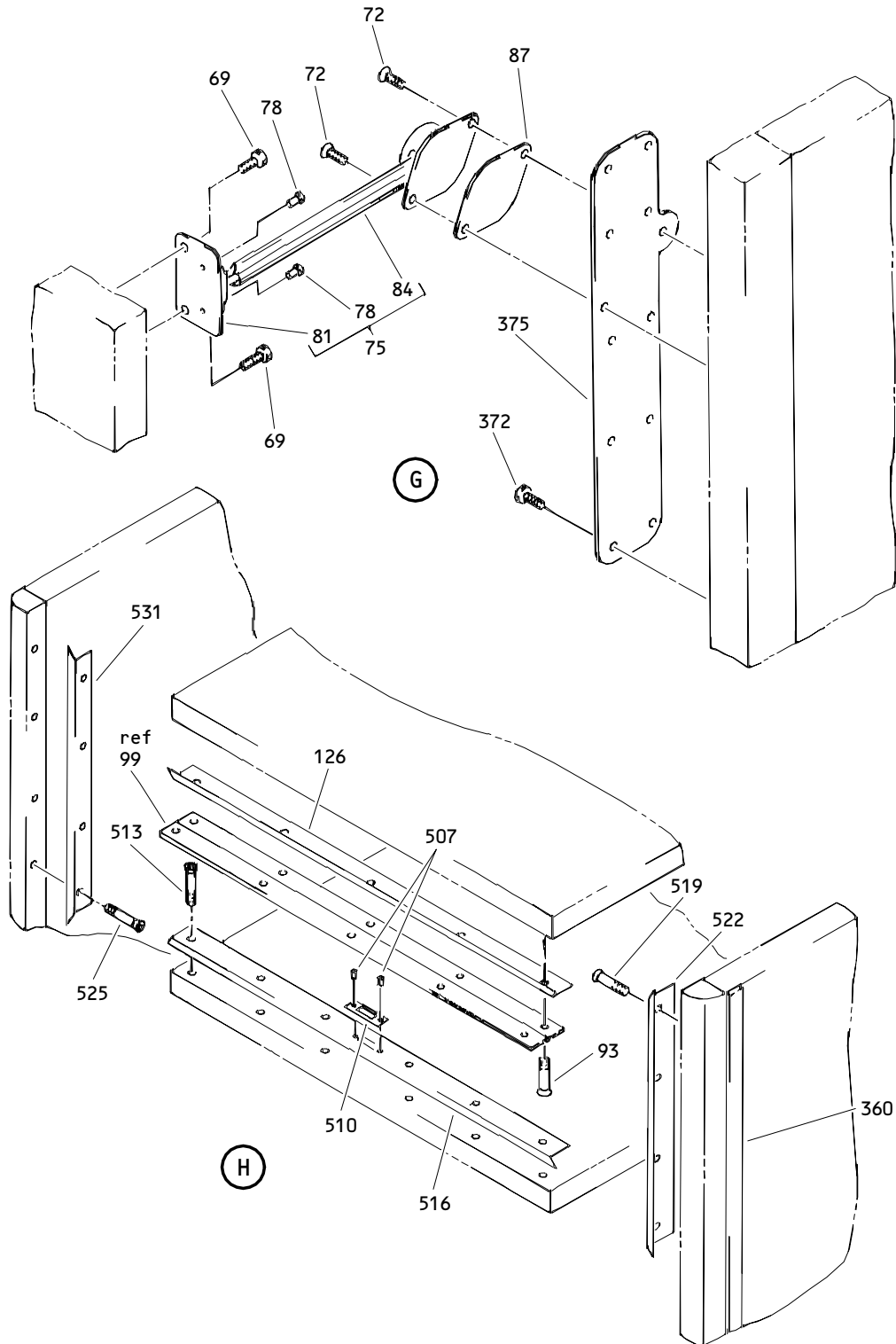
ILLUSTRATED PARTS LIST
 01.1 Page 1022
 Sep 01/94



Outboard Forward Left Hand Closet Assembly
 Figure 1 (Sheet 4)

25-24-01

ILLUSTRATED PARTS LIST
 01.1 Page 1023
 Sep 01/94

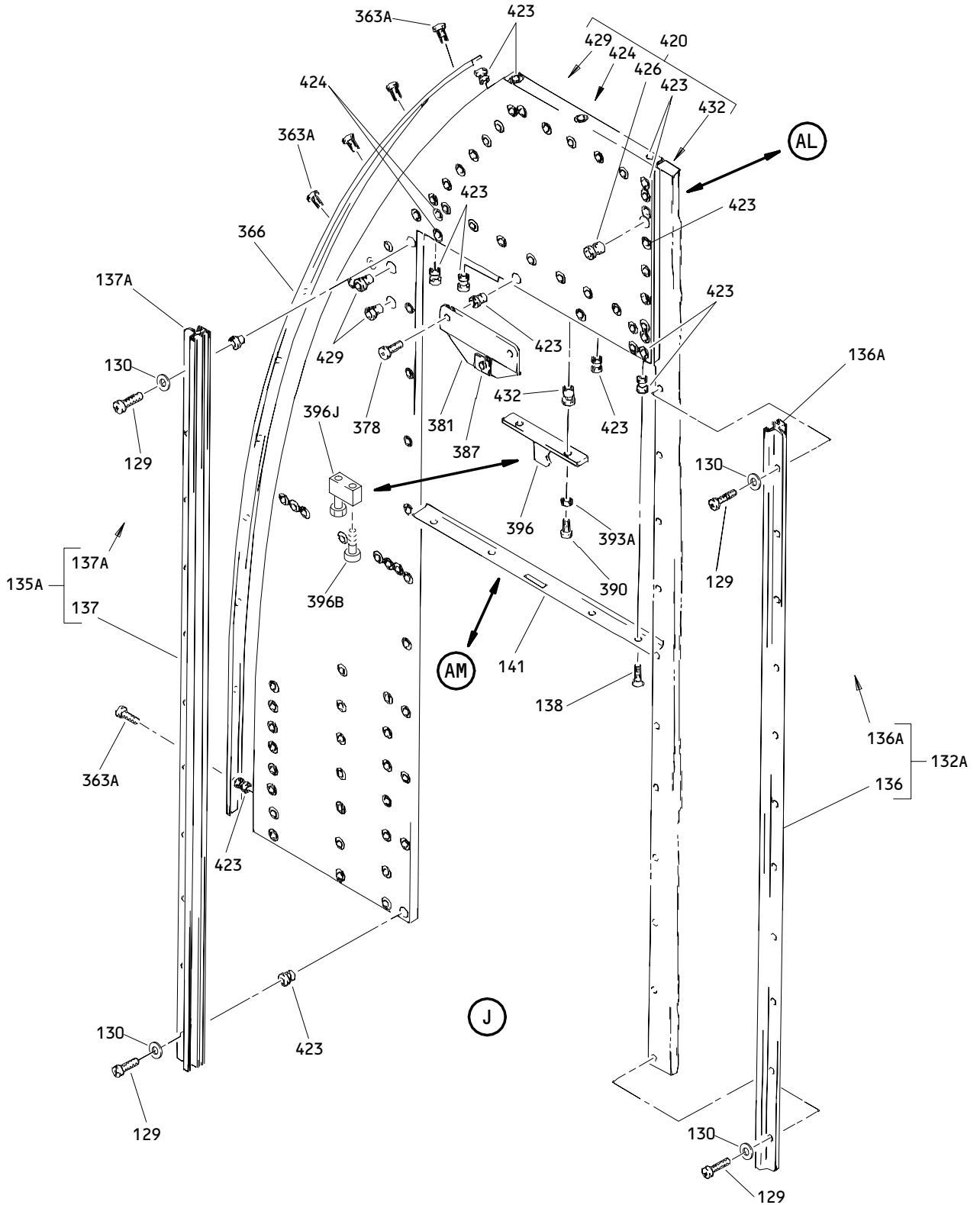


Outboard Forward Left Hand Closet Assembly
 Figure 1 (Sheet 5)

25-24-01

ILLUSTRATED PARTS LIST
 01.1 Page 1024
 Sep 01/94

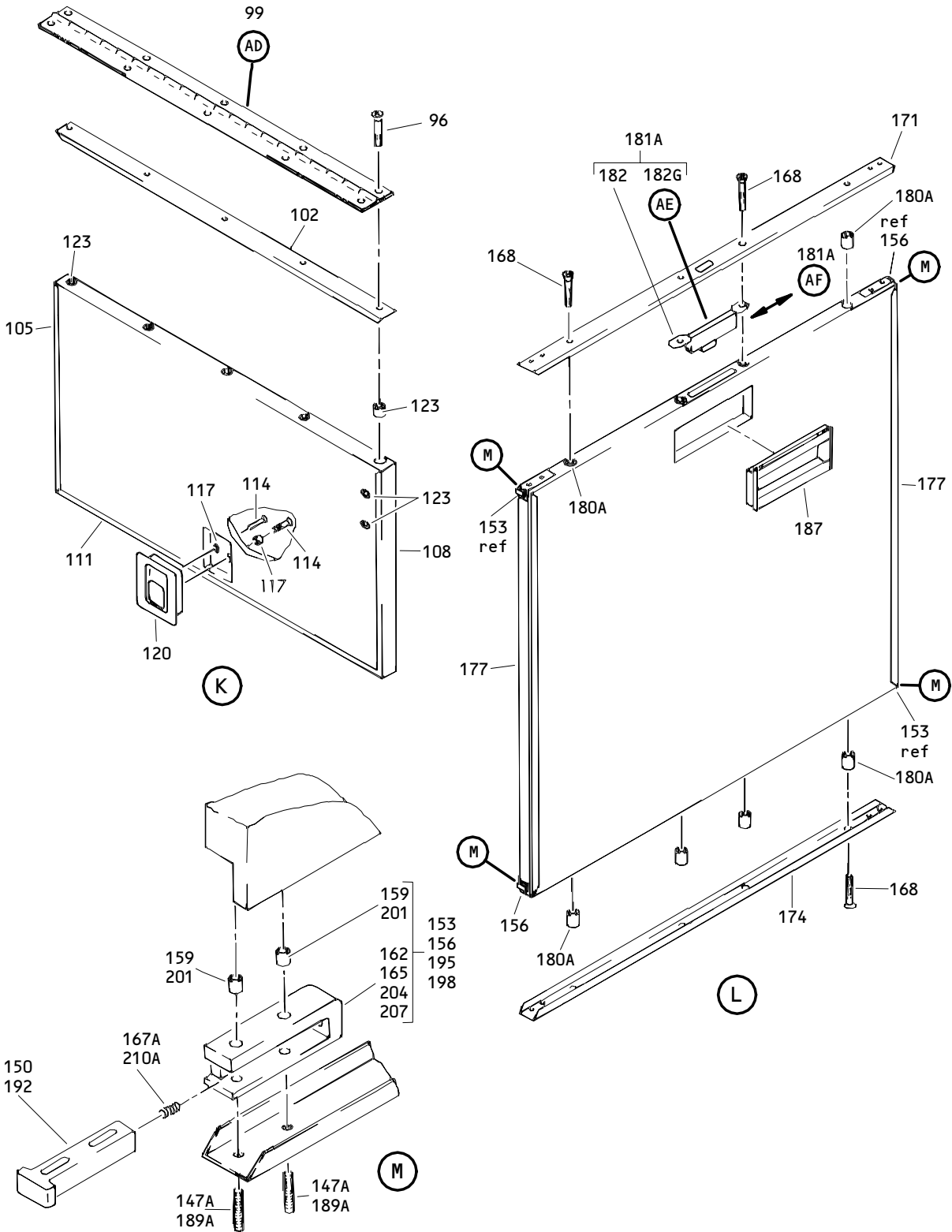
BOEING
COMPONENT
MAINTENANCE MANUAL



Outboard Forward Left Hand Closet Assembly
Figure 1 (Sheet 6)

25-24-01

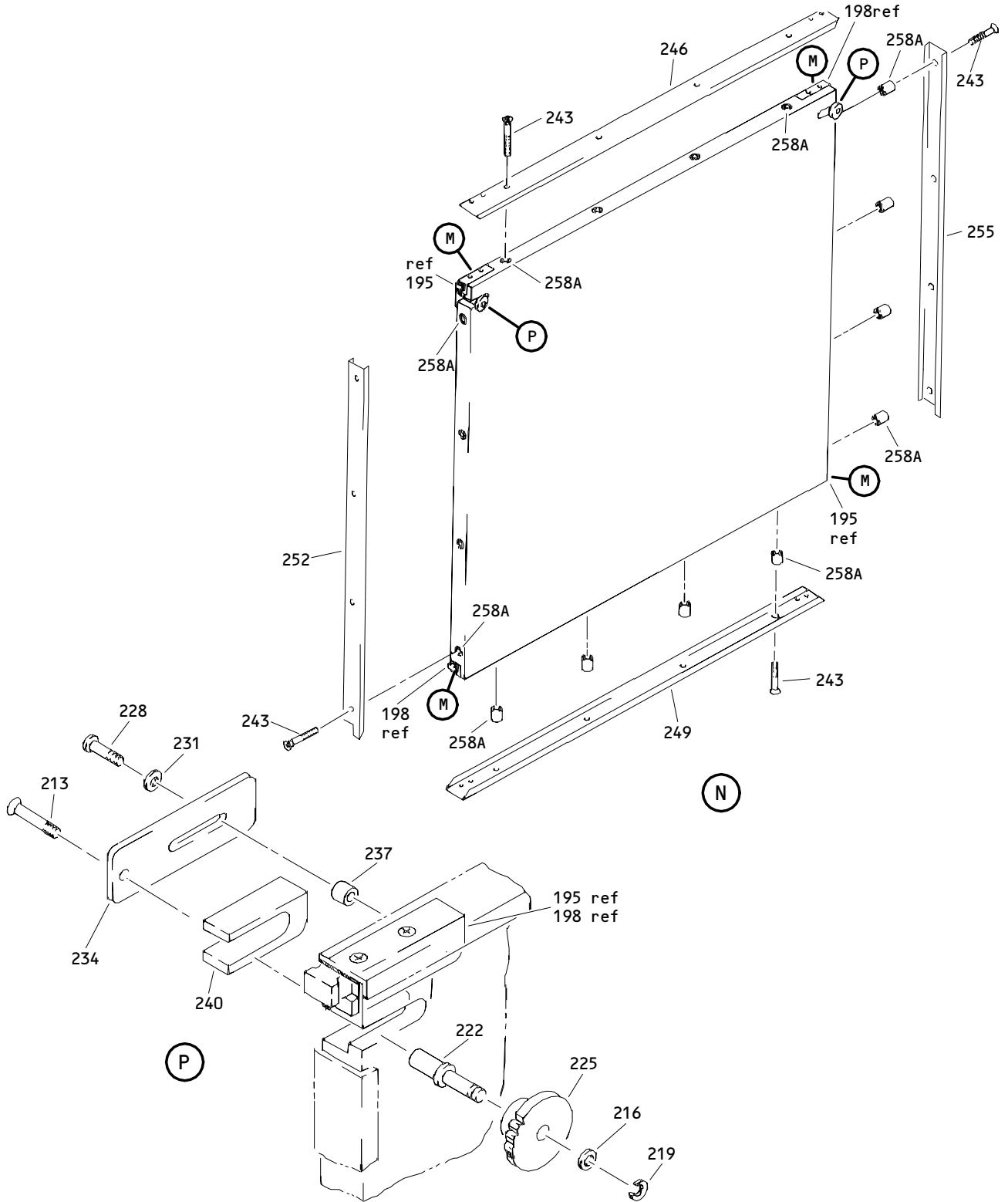
ILLUSTRATED PARTS LIST
01.1 Page 1025
Sep 01/94



Outboard Forward Left Hand Closet Assembly
 Figure 1 (Sheet 7)

25-24-01

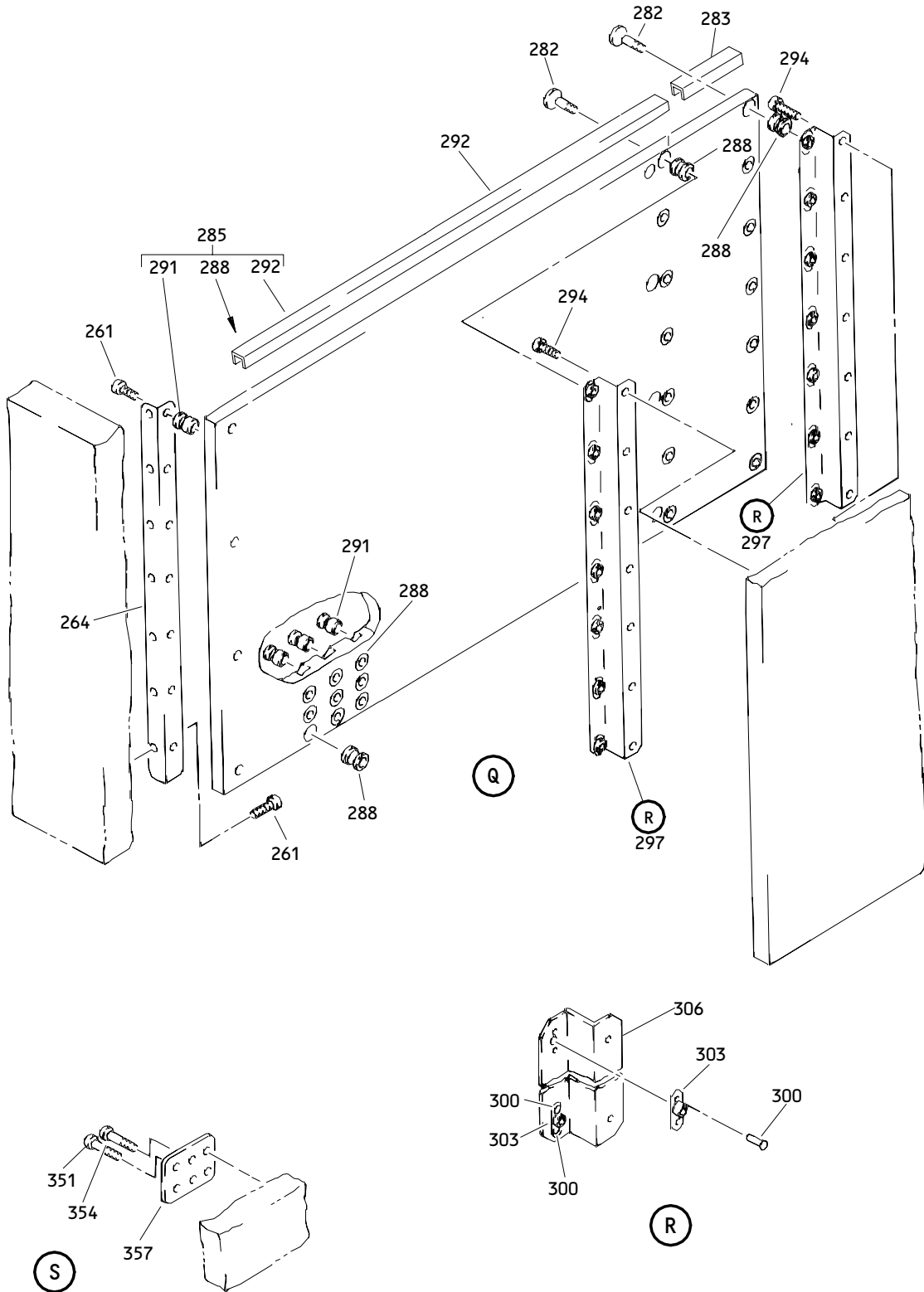
ILLUSTRATED PARTS LIST
 01.1 Page 1026
 Sep 01/94



Outboard Forward Left Hand Closet Assembly
 Figure 1 (Sheet 8)

25-24-01

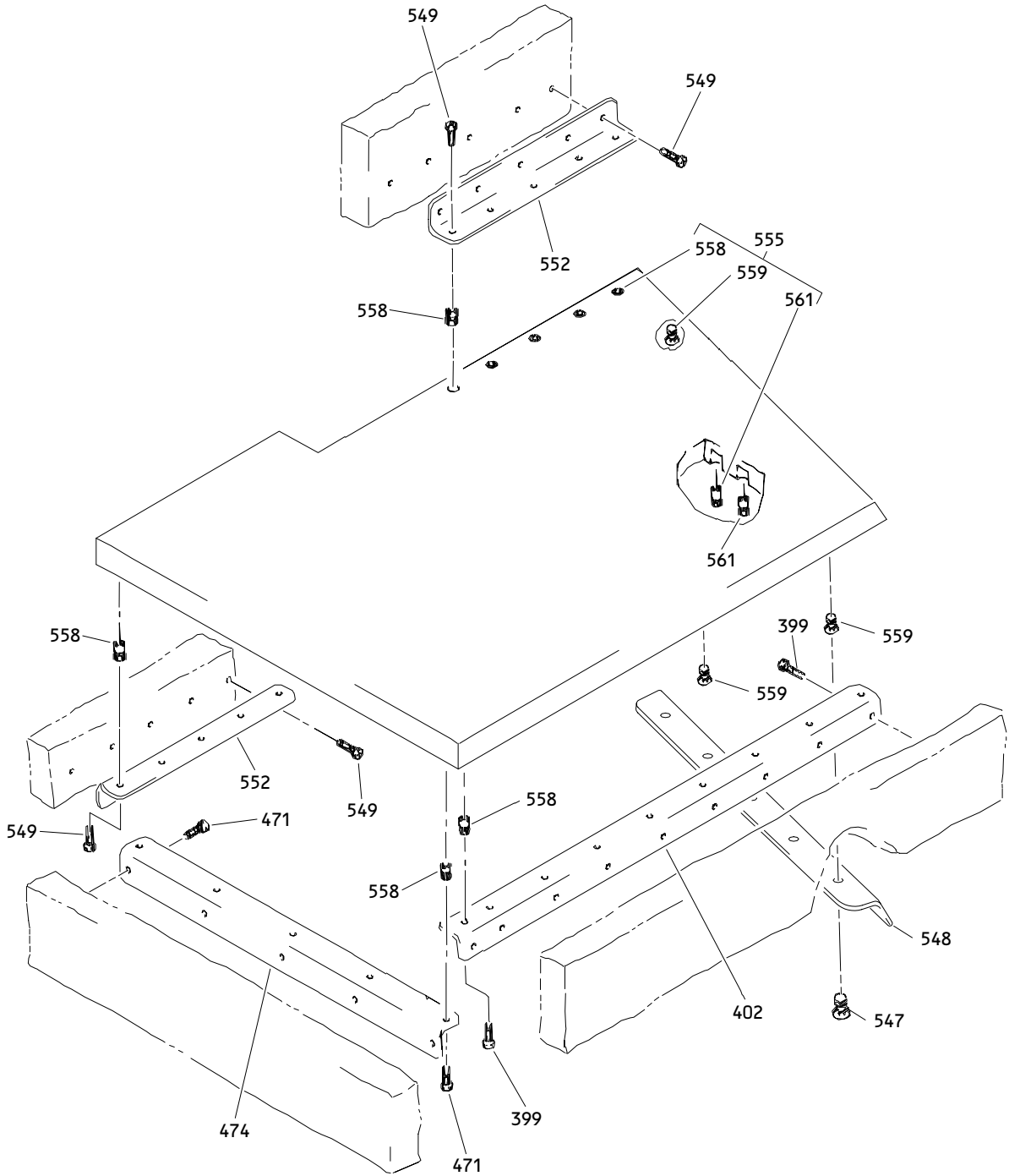
ILLUSTRATED PARTS LIST
 01.1 Page 1027
 Sep 01/94



Outboard Forward Left Hand Closet Assembly
 Figure 1 (Sheet 9)

25-24-01

ILLUSTRATED PARTS LIST
 01.1 Page 1028
 Sep 01/94

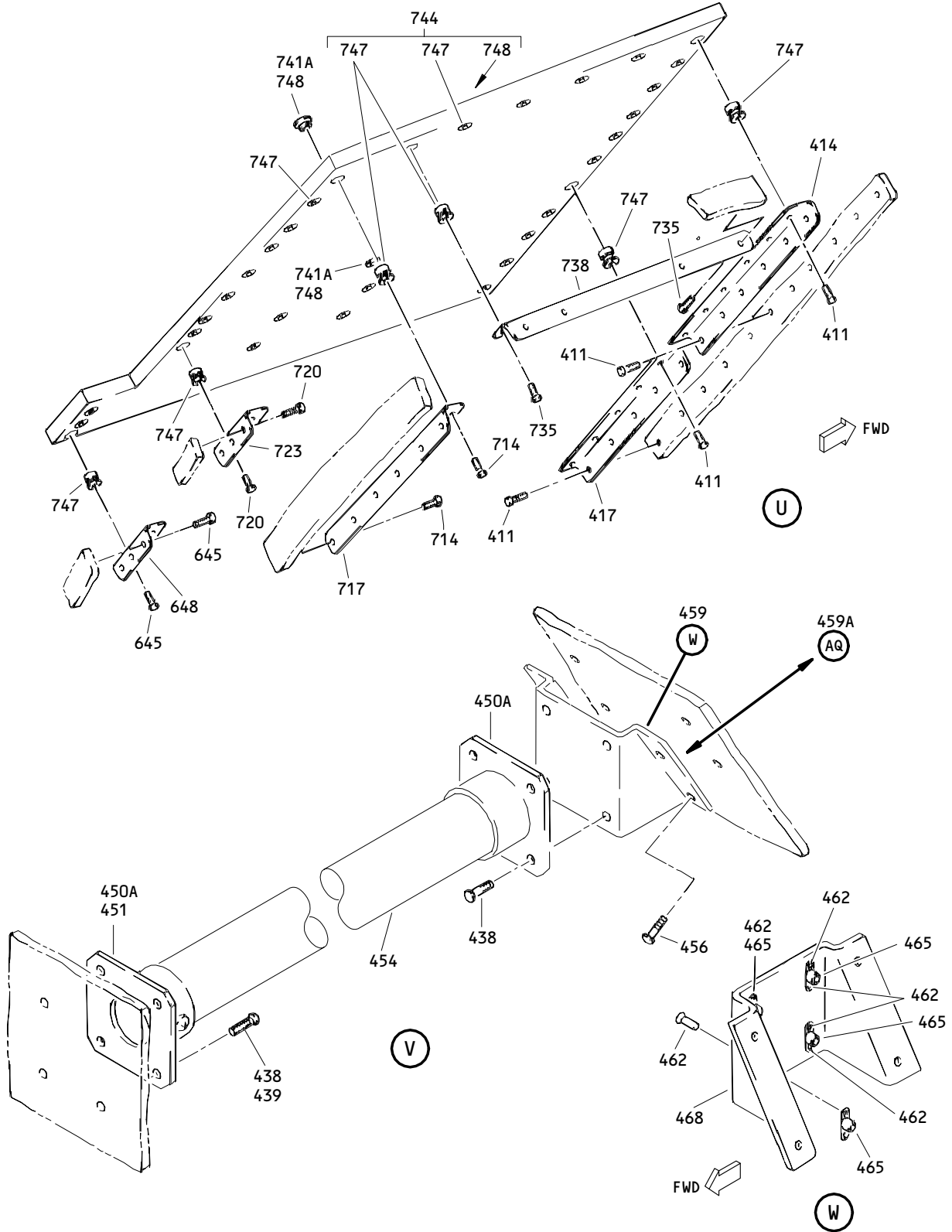


(T)

Outboard Forward Left Hand Closet Assembly
Figure 1 (Sheet 10)

25-24-01

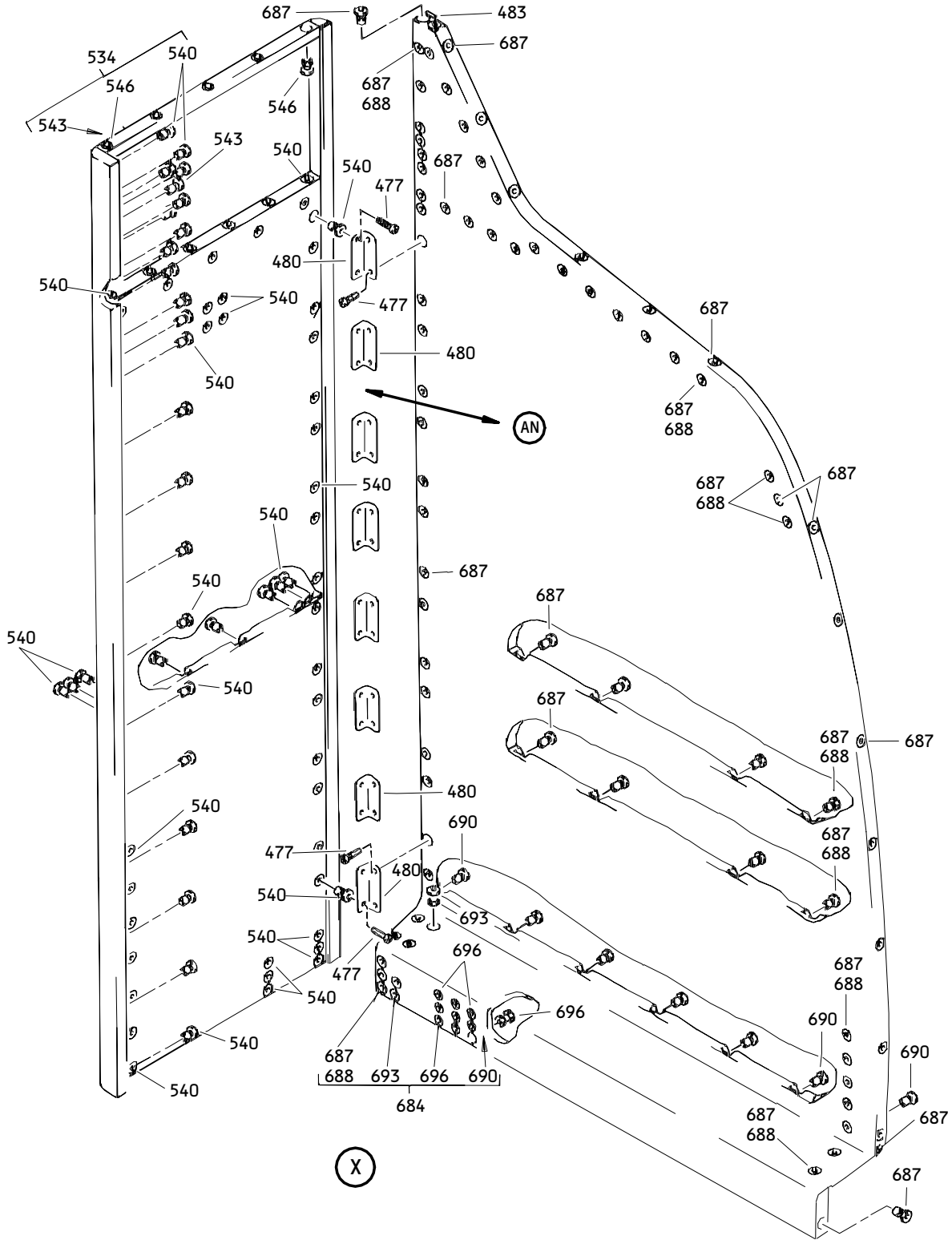
ILLUSTRATED PARTS LIST
01.1 Page 1029
Sep 01/94



Outboard Forward Left Hand Closet Assembly
 Figure 1 (Sheet 11)

25-24-01

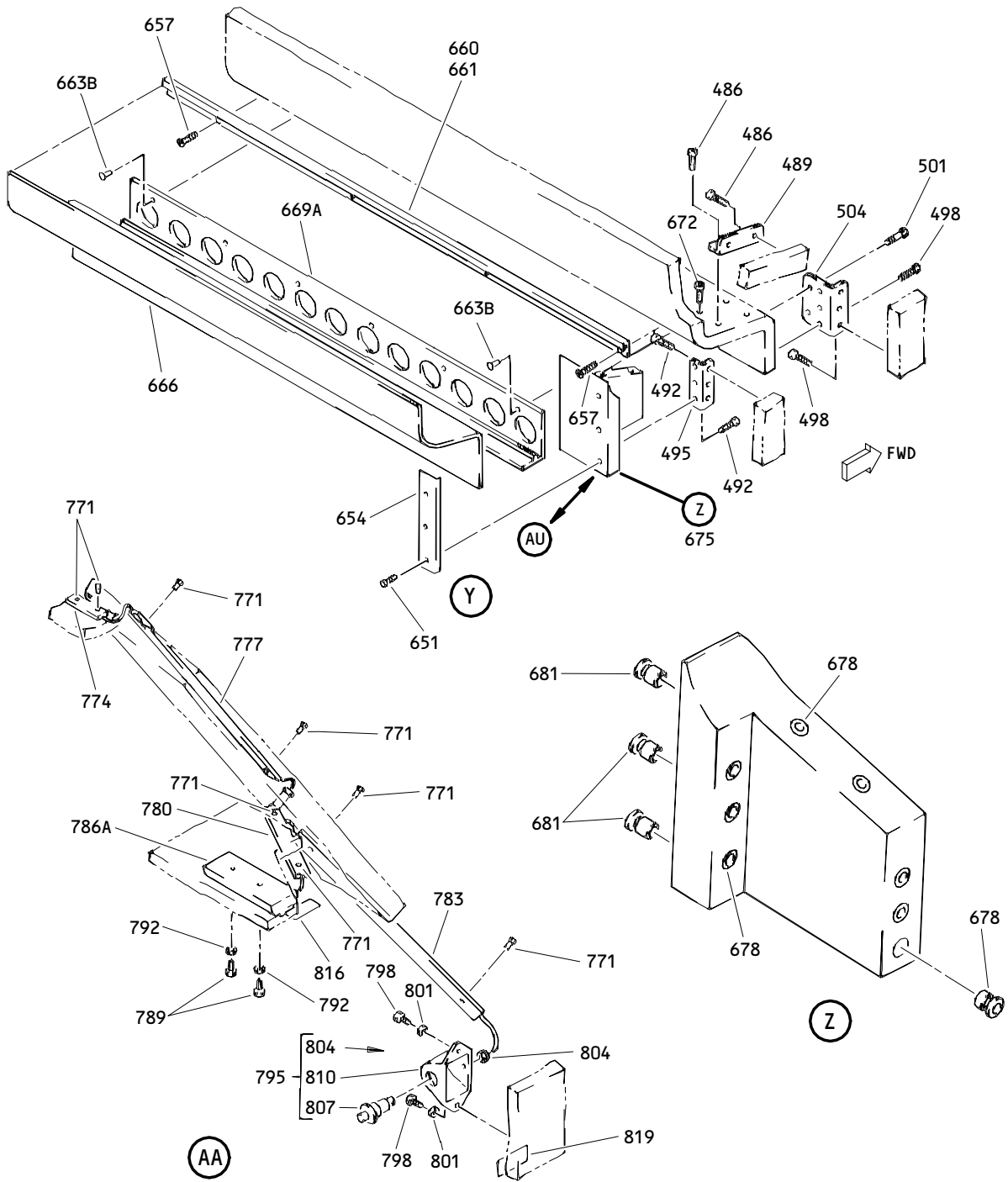
ILLUSTRATED PARTS LIST
 01.1 Page 1030
 Sep 01/94



Outboard Forward Left Hand Closet Assembly
Figure 1 (Sheet 12)

25-24-01

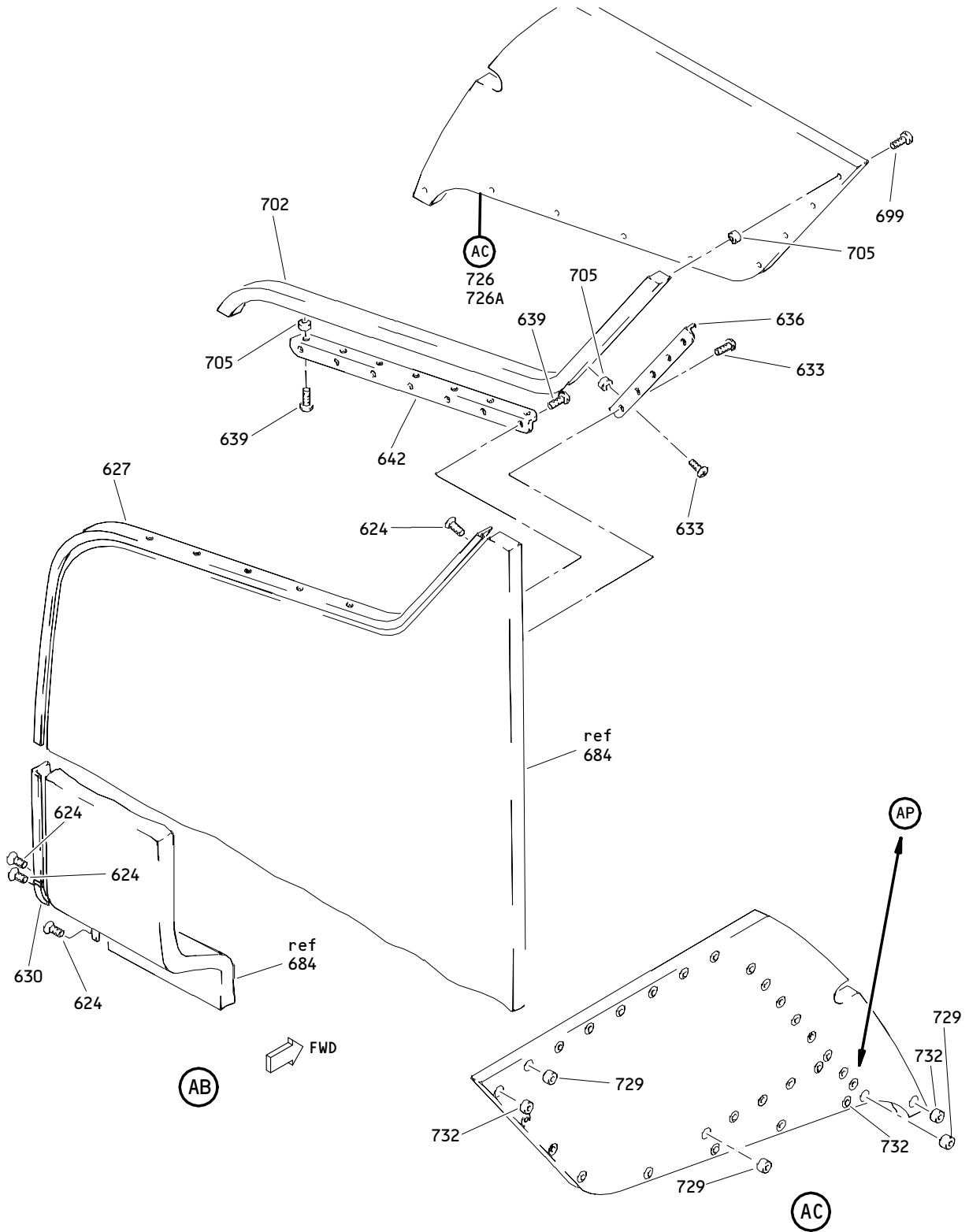
ILLUSTRATED PARTS LIST
01.1 Page 1031
Sep 01/94



Outboard Forward Left Hand Closet Assembly
 Figure 1 (Sheet 13)

25-24-01

ILLUSTRATED PARTS LIST
 01.1 Page 1032
 Sep 01/94

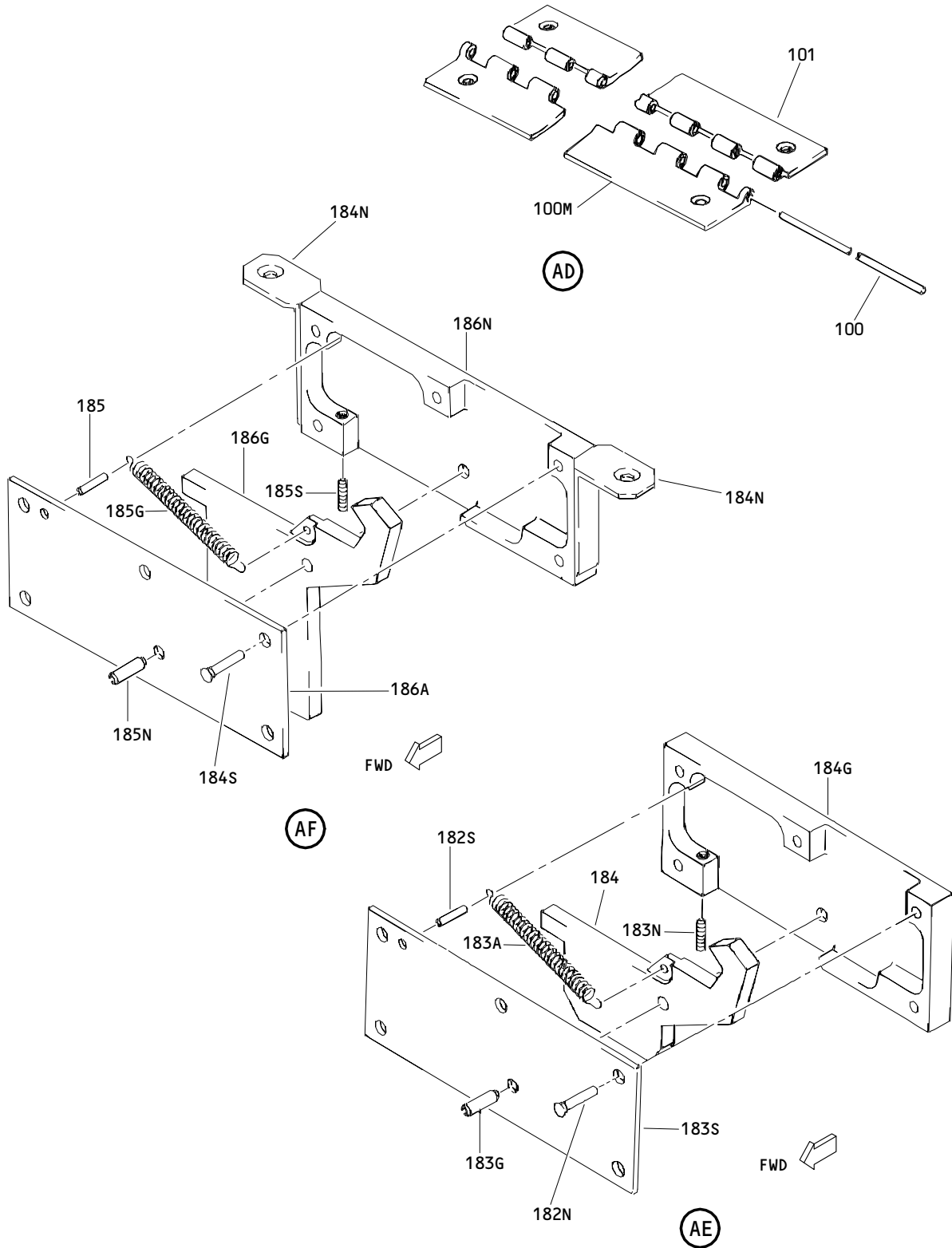


Outboard Forward Left Hand Closet Assembly
 Figure 1 (Sheet 14)

T83498

25-24-01

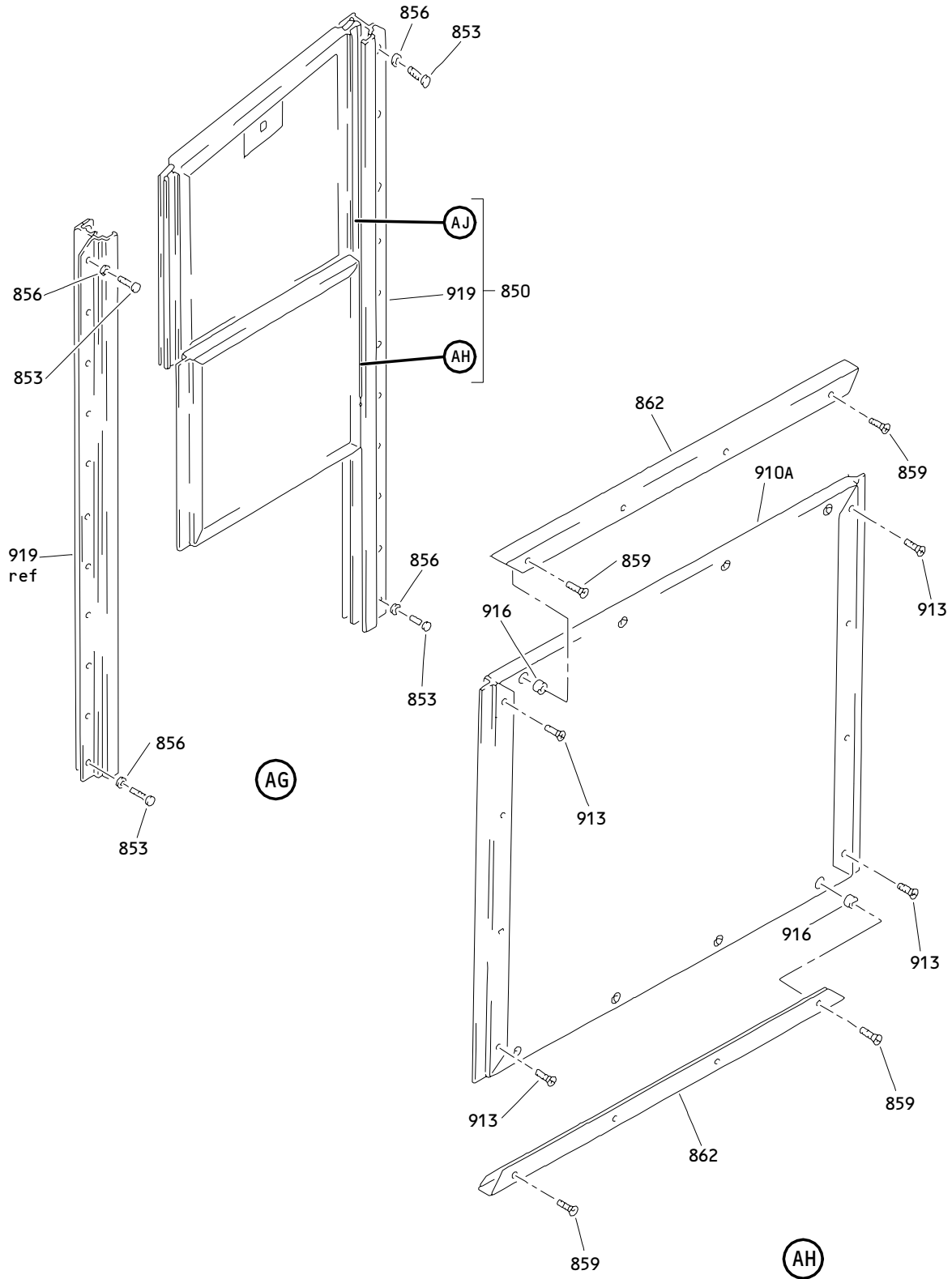
ILLUSTRATED PARTS LIST
 01.1 Page 1033
 Sep 01/94



Outboard Forward Left Hand Closet Assembly
 Figure 1 (Sheet 15)

25-24-01

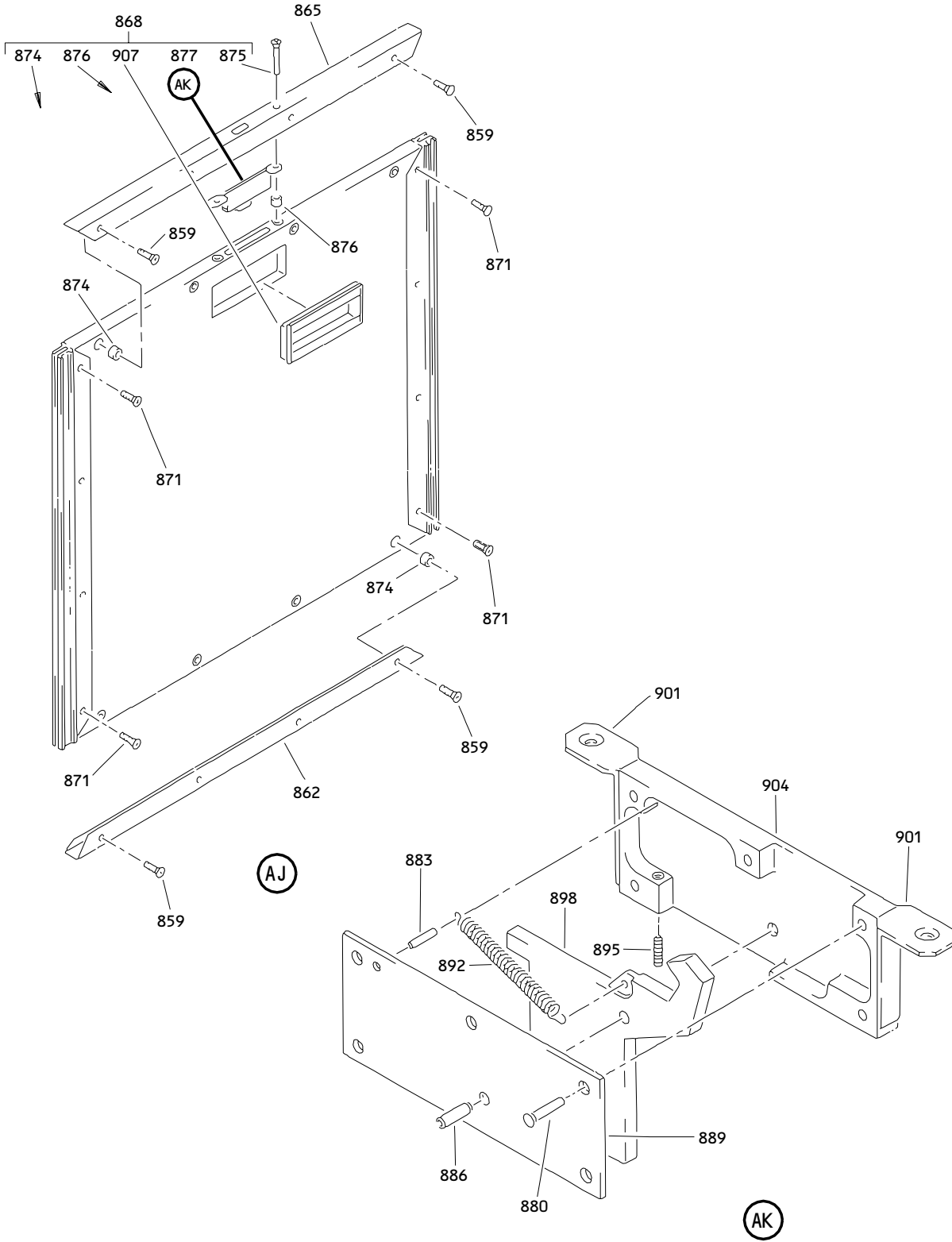
ILLUSTRATED PARTS LIST
 01.1 Page 1034
 Sep 01/94



Outboard Forward Left Hand Closet Assembly
Figure 1 (Sheet 16)

25-24-01

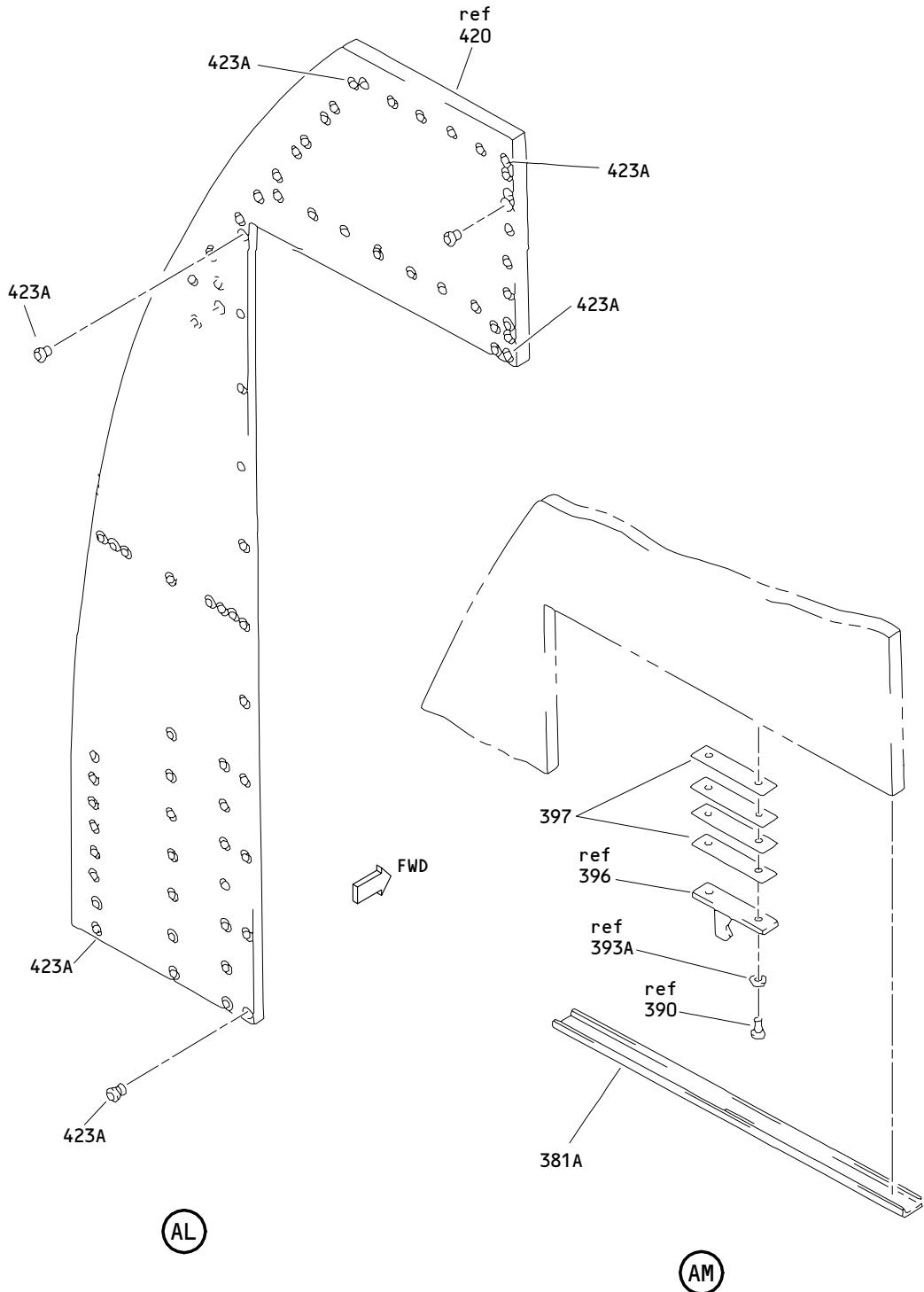
ILLUSTRATED PARTS LIST
01.1 Page 1035
Sep 01/94



Outboard Forward Left Hand Closet Assembly
 Figure 1 (Sheet 17)

25-24-01

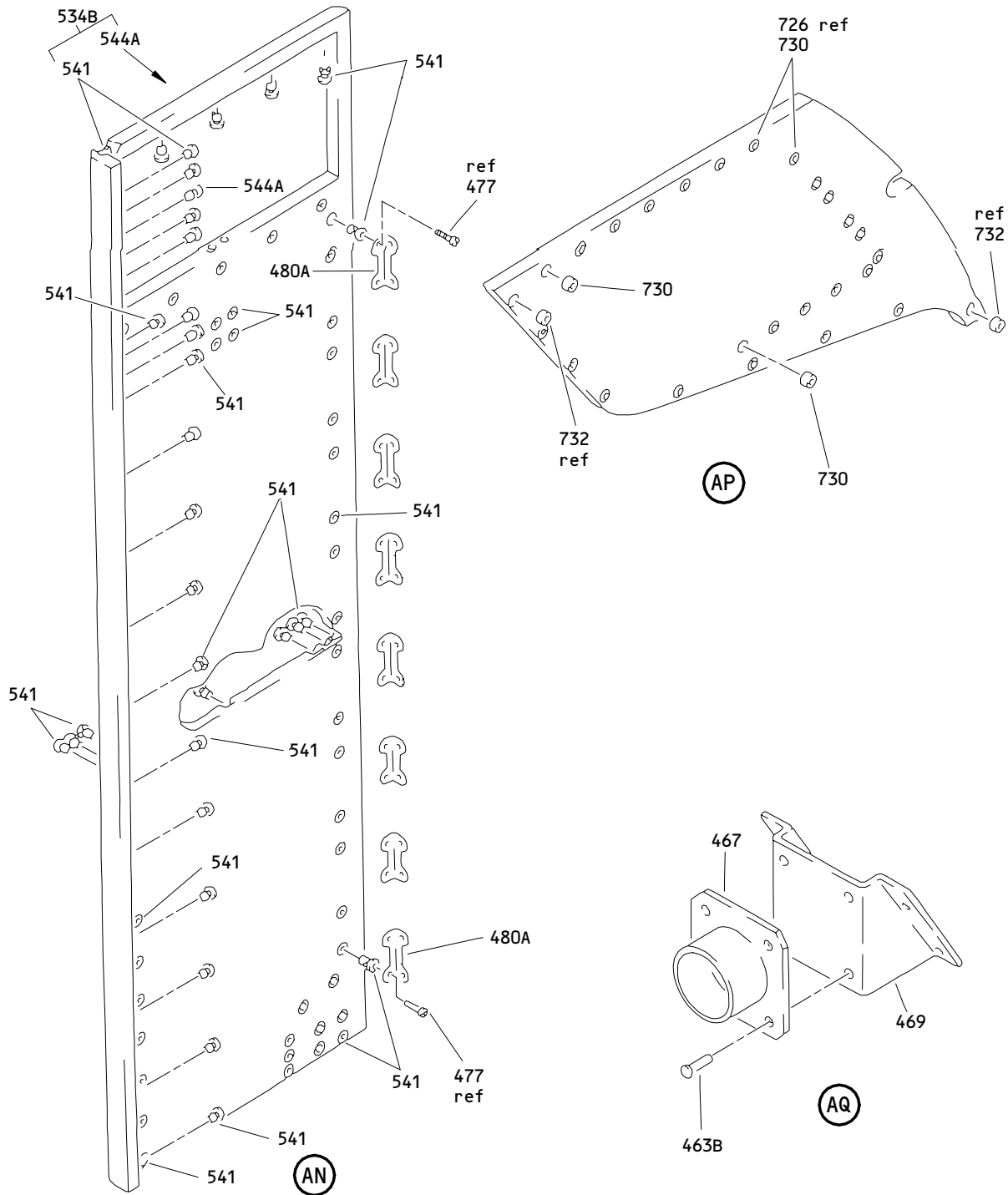
ILLUSTRATED PARTS LIST
 01.1 Page 1036
 Sep 01/94



Outboard Forward Left Hand Closet Assembly
 Figure 1 (Sheet 18)

25-24-01

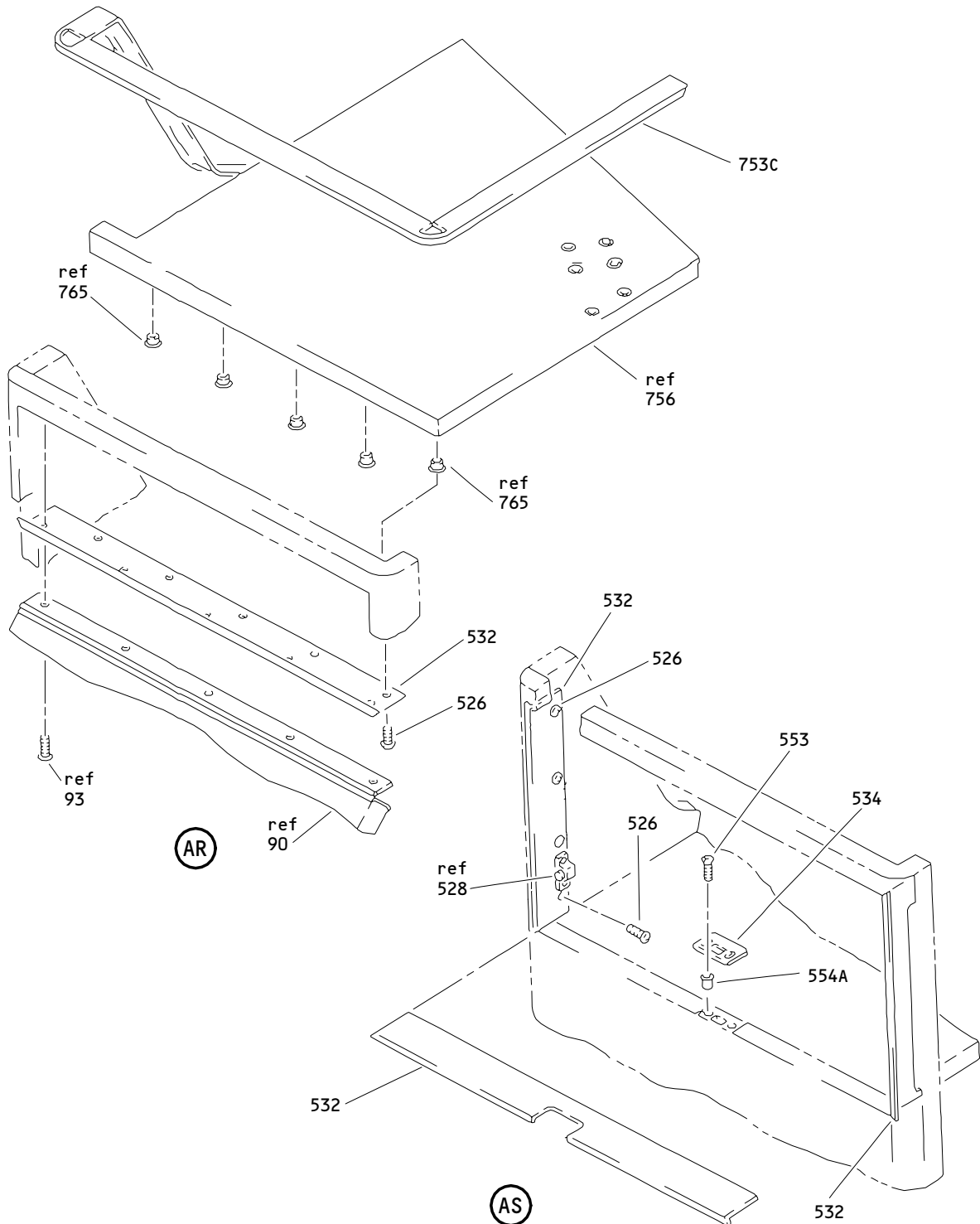
ILLUSTRATED PARTS LIST
 01.1 Page 1037
 Sep 01/94



Outboard Forward Left Hand Closet Assembly
 Figure 1 (Sheet 19)

25-24-01

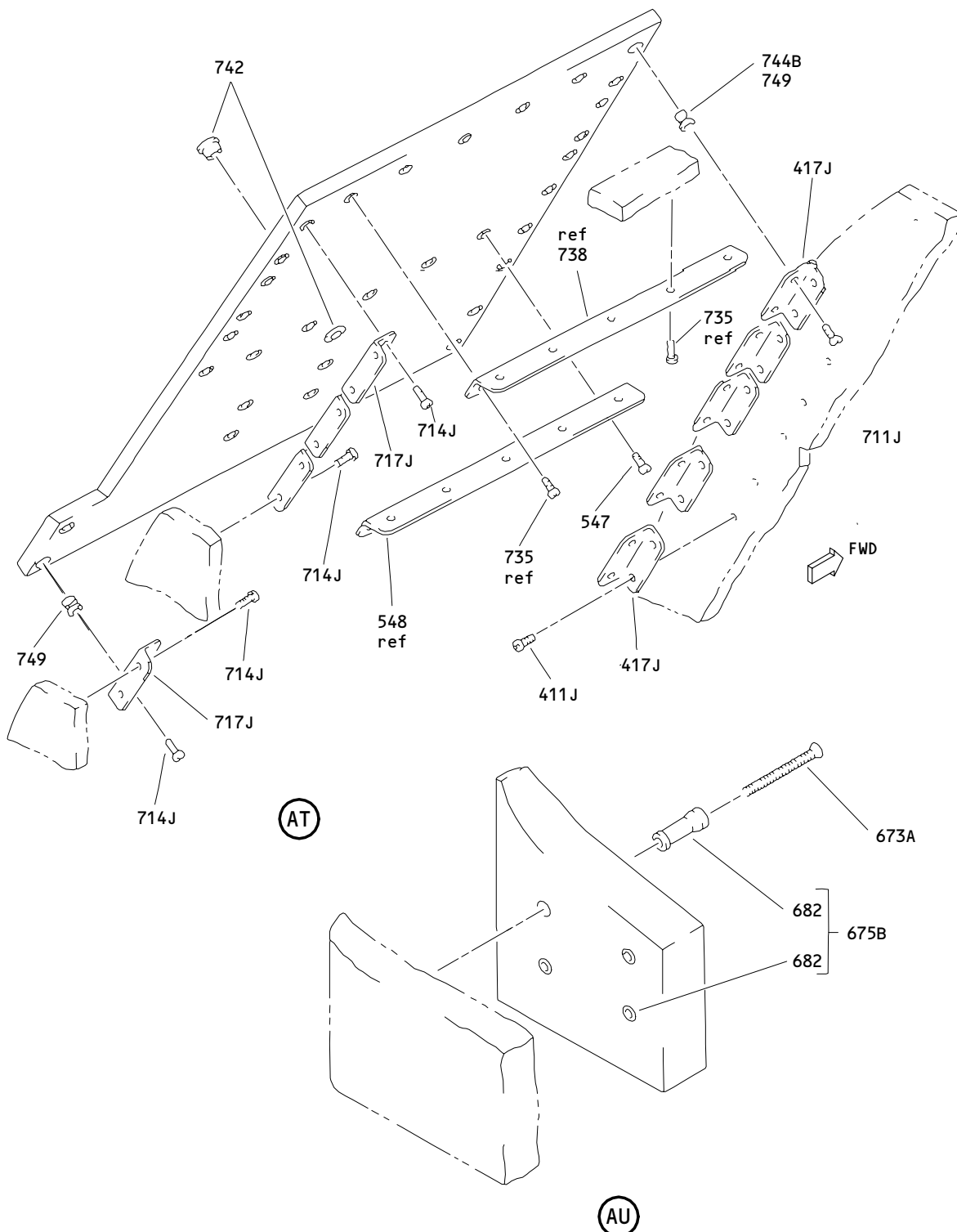
ILLUSTRATED PARTS LIST
 01.1 Page 1038
 Sep 01/94



Outboard Forward Left Hand Closet Assembly
Figure 1 (Sheet 20)

25-24-01

ILLUSTRATED PARTS LIST
01.1 Page 1039
Sep 01/94



Outboard Forward Left Hand Closet Assembly
Figure 1 (Sheet 21)

25-24-01

ILLUSTRATED PARTS LIST
01.1 Page 1040
Sep 01/94


BOEING
 COMPONENT
 MAINTENANCE MANUAL

FIG. & ITEM	PART NO.	AIRLINE PART NUMBER	NOMENCLATURE 1234567	EFF CODE	QTY PER ASSY
01-					
-1	413T3060-1SP		CLOSET ASSY-OUTBD FWD LH	A	RF
-1A	413T3060-21SP		CLOSET ASSY-OUTBD FWD LH	B	RF
-1B	413T3060-22SP		CLOSET ASSY-OUTBD FWD LH	C	RF
-1C	413T3060-23SP		CLOSET ASSY-OUTBD FWD LH	D	RF
-1D	413T3060-25SP		CLOSET ASSY-OUTBD FWD LH	E	RF
R -1E	413T3060-27SP		CLOSET ASSY-OUTBD FWD LH	F	RF
3	NAS6603-18		.BOLT		4
6	AN960PD10L		DELETED		
6A	AN960JD10L		.WASHER		4
9	H10-3BAC		DELETED		
9A	MS21042L3		.NUT		4
12	412T2035-1		.FITTING ASSY		1
13	BACB28X4C008		..BUSHING		1
14	BACB28X6C008		..BUSHING		1
14G	412T2035-2		..FITTING		1
15	NAS6603-18		.BOLT		2
21	AN960PD10L		DELETED		
21A	AN960JD10L		.WASHER		2
24	H10-3BAC		DELETED		
24A	MS21042L3		.NUT		2
27	413T3042-5		.BRACKET		1
30	413T3702-3SP		.CAP-END	A-E	2
R -30A	413T3702-1SP		.CAP-END	F	2
33	413T3702-1SP		.CAP-END		2
-33A	413T3702-3SP		DELETED		
36	NAS603-7P		.SCREW	A-E	8
R 37	NAS603-8P		.SCREW	F	7
39	413T3027-33SP		.INSERT-RUBSTRIP	A-E	1
R -39A	413T3027-259SP		.INSERT-RUBSTRIP	F	1
42	413T3027-31SP		.RUBSTRIP	A-E	1
R -42A	413T3027-309SP		.RUBSTRIP	F	1

25-24-01

 ILLUSTRATED PARTS LIST
 01.1 Page 1041
 Sep 01/94

FIG. & ITEM	PART NO.	AIRLINE PART NUMBER	NOMENCLATURE 1234567	EFF CODE	QTY PER ASSY
01-					
R 45	NAS603-7P		. SCREW	A-E	7
R 46	NAS603-6P		. SCREW	F	4
R 47	NAS603-8P		. SCREW	F	3
48	413T3027-34SP		. INSERT-RUBSTRIP		1
51	413T3027-32SP		. RUBSTRIP	A-E	1
R -51A	413T3027-296SP		. RUBSTRIP	F	1
54	MS24665-134		. PIN-COTTER	A-E	4
R -54A	MS24665-287		. PIN-COTTER	F	4
R 57	MS20392-3C37		. PIN-DRILLED SHANK		3
-57A	MS20392-4C37		DELETED		
R 58	MS20392-3C37		. PIN-DRILLED SHANK	A-E	1
R -58A	MS20392-4C37		. PIN-DRILLED SHANK	F	1
60	AN960PD416L		DELETED		
60A	AN960JD416L		. WASHER	A-E	4
R -60B	AN960JD516L		. WASHER	F	4
R 61	501300-1		. FITTING-TRACK (V27045)	A-E	1
R -61A	501300-1		. FITTING-TRACK (V27045)	F	1
R 63	501300-1		. FITTING-TRACK (V27045)	A-E	1
R -63A	42952-11		. FITTING-TRACK (V31272)	F	1
66	42329-10		. FITTING-TRACK (V31272)		2
-66A	42952-11		DELETED		
69	NAS603-7P		. SCREW		2
72	NAS514P632-6		. SCREW		2
75	413T3022-1		. SUPPORT ASSY-DOOR FALL		1
78	BACR15BA5A		.. RIVET- (SIZE DETERMINE ON INST)		2
81	413T3022-2		.. PLATE		1
84	SL3579A3		.. SUPPORT- (V97393)		1
87	413T3022-8		. SPACER		1
90	413T3030-36SP		. DOOR ASSY	A-C	1
-90A	413T3030-209SP		. DOOR ASSY	D,E	1
R -90B	413T3619-661SP		. DOOR ASSY	F	1
93	NAS514P1032-7		ATTACHING PARTS		
R -93A	NAS514P1032-8		. SCREW	A-E	5
			. SCREW	F	5
			-----*-----		

25-24-01

ILLUSTRATED PARTS LIST

01.1

Page 1042

Sep 01/94


BOEING
 COMPONENT
 MAINTENANCE MANUAL

FIG. & ITEM	PART NO.	AIRLINE PART NUMBER	NOMENCLATURE 1234567	EFF CODE	QTY PER ASSY
01-					
96	NAS514P1032-8		..SCREW		5
99	413T2015-63		..HINGE		1
100	413T2015-66		...PIN		1
100M	413T2015-65		...HINGE HALF		1
101	413T2015-64		...HINGE HALF		1
102	413T3030-39		..TRIM	A-C	1
105	413T3030-37		..TRIM	A-C	1
108	413T3030-38		..TRIM	A-C	1
-109	413U3156-6		DELETED		
-109A	413U3165-6		..TRIM	D-F	AR
111	413T3030-40		..TRIM	A-C	1
114	NAS514P1032-12		..SCREW		2
117	NAS1834A3-530		..INSERT	A-C	2
-117A	NAS1834A3K540		..INSERT	D-F	2
120	SAM223-11		..LATCH- (V31845)		1
123	NAS1835A3		..INSERT		7
126	413T3060-12		.TRIM	A-E	1
-126A	413U3165-75		DELETED		
129	NAS603-7P		.SCREW	A	22
130	AN960JD10L		.WASHER	A	22
132	413T3045-2		DELETED		
132A	413T3045-7		.RAIL ASSY-DOOR	A	1
135	413T3045-3		DELETED		
135A	413T3045-8		.RAIL ASSY-DOOR	A	1
136	413T3045-4		..RAIL- (USED ON ITEM 132A)	A	1
136A	IM12N24		..MOLDED RACK- (V59076) (USED ON ITEM 132A)	A	1
137	413T3045-5		..RAIL- (USED ON ITEM 135A)	A	1
137A	IM12N24		..MOLDED RACK- (V59076) (USED ON ITEM 135A)	A	1
138	NAS514P1032-7		.SCREW	A-E	4
141	413T3051-21		.TRIM	A-E	1
144	413T3048-1SP		.DOOR ASSY	A	1
147	NAS514P632-8		DELETED		
147A	MS51021-118		..SETSCREW	A	8
150	413T3046-8		..GUIDE	A	4
153	413T3046-3		..RETAINER ASSY	A	2

25-24-01

 ILLUSTRATED PARTS LIST
 01.1 Page 1043
 Sep 01/94

FIG. & ITEM	PART NO.	AIRLINE PART NUMBER	NOMENCLATURE 1234567	EFF CODE	QTY PER ASSY
01-					
156	413T3046-4		..RETAINER ASSY	A	2
159	MS21209C0610		...INSERT	A	2
162	413T3046-5		...RETAINER-DOOR GUIDE (USED ON ITEM 153)	A	1
165	413T3046-6		...RETAINER-DOOR GUIDE (USED ON ITEM 156)	A	1
167	MS24585C35		DELETED		
167A	MS24585-1063		..SPRING	A	4
168	NAS514P632-4		..SCREW	A	8
171	413T3048-8		..TRIM	A	1
174	413T3048-9		..TRIM	A	1
177	413T3045-1		..TRIM	A	2
180	NAS1836-06-9		DELETED		
180A	SL2748-06S		..INSERT- (V97393)	A	8
181	413T3047-1		..LATCH ASSY- (OPT ITEM 181A)	A	1
181A	413N3109-78		..LATCH ASSY- (OPT ITEM 181)	A	1
182	413T3047-2		...ANGLE- (USED ON ITEM 181)	A	2
182G	69B51600-1		...LATCH ASSY- (USED ON ITEM 181)	A	1
182N	MS20426D3	RIVET	A	5
182S	69B51600-3	PIN	A	1
183	413T3004-4		DELETED		
183A	MS24586-525	SPRING	A	1
183G	69B51600-4	PIN	A	1
183N	MS18065-10	SCREW	A	1
183S	69B51600-2	COVER	A	1

25-24-01

 ILLUSTRATED PARTS LIST
 01.1 Page 1044
 Sep 01/94


BOEING
 COMPONENT
 MAINTENANCE MANUAL

FIG. & ITEM	PART NO.	AIRLINE PART NUMBER	NOMENCLATURE 1234567	EFF CODE	QTY PER ASSY
01-					
184	69B51631-1	LATCH	A	1
184G	69B51629-1	HOUSING	A	1
184N	413N3109-80		...ANGLE- (USED ON ITEM 181A)	A	2
184S	BACR15BA3D		...RIVET- (SIZE DETERMINE ON INST) (USED ON ITEM 181A)	A	5
185	69B51600-3		...PIN- (USED ON ITEM 181A)	A	1
185G	MS24586-525		...SPRING- (USED ON ITEM 181A)	A	1
185N	69B51600-4		...PIN- (USED ON ITEM 181A)	A	1
185S	MS18065-10		...SCREW- (USED ON ITEM 181A)	A	1
186	413T3048-2SP		DELETED		
186A	69B51600-2		...COVER- (USED ON ITEM 181A)	A	1
186G	413N3109-79		...CATCH- (USED ON ITEM 181A)	A	1
186N	69B51629-1		...HOUSING- (USED ON ITEM 181A)	A	1
187	413T3004-4		..PULL ASSY	A	1
188	413T3048-2SP		..DOOR ASSY	A	1
189	NAS514P632-8		DELETED		
189A	MS51021-118		..SETSCREW	A	8
192	413T3046-8		..GUIDE	A	4
195	413T3046-3		..RETAINER ASSY	A	2
198	413T3046-4		..RETAINER ASSY	A	2
201	MS21209C0610		...INSERT	A	2
204	413T3046-5		...RETAINER-DOOR GUIDE (USED ON ITEM 195)	A	1

25-24-01

 ILLUSTRATED PARTS LIST
 01.1 Page 1045
 Sep 01/94

FIG. & ITEM	PART NO.	AIRLINE PART NUMBER	NOMENCLATURE 1234567	EFF CODE	QTY PER ASSY
01- 207	413T3046-6		...RETAINER-DOOR GUIDE (USED ON ITEM 198)	A	1
210	MS24585C35		DELETED		
210A	MS24585-1063		..SPRING	A	4
213	NAS514P632-6		..SCREW	A	2
216	AN960C10L		..WASHER	A	2
219	MS16633-4018		..RING	A	2
222	413T3046-7		..POST-GEAR	A	2
225	G8100-1		..GEAR-SPUR (V0625B)	A	2
228	NAS603-9P		..SCREW	A	2
231	AN960PD10L		..WASHER	A	2
234	413T3046-2		..PLATE	A	2
237	NAS1836-3-16		..INSERT	A	2
240	413T3046-1		..GUIDE-GEAR	A	2
243	NAS514P632-4		..SCREW	A	16
246	413T3048-12		..TRIM	A	1
249	413T3048-13		..TRIM	A	1
252	413T3048-10		..TRIM	A	1
255	413T3048-11		..TRIM	A	1
258	NAS1836-06-9		DELETED		
258A	SL2748-06S		..INSERT- (V97393)	A	16
261	NAS603-7P		.SCREW		14
264	413T3051-34SP		.BRACKET		1
267	NAS603-7P		.SCREW	A-E	3
R -267A	NAS603-6P		.SCREW	F	3
270	BACB30LU3-12		DELETED		

25-24-01

 ILLUSTRATED PARTS LIST
 01.1 Page 1046
 Sep 01/94


BOEING
 COMPONENT
 MAINTENANCE MANUAL

FIG. & ITEM	PART NO.	AIRLINE PART NUMBER	NOMENCLATURE 1234567	EFF CODE	QTY PER ASSY
R 01- -270A	BACB30LU3-9		.BOLT- (V06710) (SPEC BACB30LU3-9) (OPT BACB30LU3-9 (V06725)) (OPT BACB30LU3-9 (V06950)) (OPT BACB30LU3-9 (V17943)) (OPT BACB30LU3-9 (V27624)) (OPT BACB30LU3-9 (V56878)) (OPT BACB30LU3-9 (V80539)) (OPT BACB30LU3-9 (V85495)) (OPT BACB30LU3-9 (V92215)) (OPT BACB30LU3-9 (V97928))		9
273	H10-3BAC		DELETED		
273A	MS21042L3		.NUT		9
276	413T3023-29SP		.FITTING	A-E	1
R -276A	413T3023-12SP		.FITTING	F	1
279	413T3053-5		.PLATE	A-E	2

25-24-01

 ILLUSTRATED PARTS LIST
 01.1 Page 1047
 Sep 01/94

FIG. & ITEM	PART NO.	AIRLINE PART NUMBER	NOMENCLATURE 1234567	EFF CODE	QTY PER ASSY
01-282	BACB30LU3-8		.BOLT- (V06710) (SPEC BACB30LU3-8) (OPT BACB30LU3-8 (V06725)) (OPT BACB30LU3-8 (V06950)) (OPT BACB30LU3-8 (V17943)) (OPT BACB30LU3-8 (V27624)) (OPT BACB30LU3-8 (V56878)) (OPT BACB30LU3-8 (V80539)) (OPT BACB30LU3-8 (V85495)) (OPT BACB30LU3-8 (V92215)) (OPT BACB30LU3-8 (V97928))		14
R 283	413U3165-4		.TRIM	F	1
285	413T3049-3SP		.PANEL ASSY	A	1
-285A	413T3049-73SP		.PANEL ASSY	B,C	1
-285B	413T3049-88SP		.PANEL ASSY	D,E	1
R -285C	413T3169-235SP		.PANEL ASSY	F	1
288	NAS1834A3K580		..INSERT	A-C	23
-288A	NAS1834A3K500		..INSERT	D,E	23
R -288B	NAS1834A3K560		..INSERT	F	23
291	NAS1835A3		..INSERT	A-E	10
R -291A	SL2334-3A5		..INSERT- (V97393)	F	10

25-24-01

ILLUSTRATED PARTS LIST

01.1

Page 1048

Sep 01/94


BOEING
 COMPONENT
 MAINTENANCE MANUAL

FIG. & ITEM	PART NO.	AIRLINE PART NUMBER	NOMENCLATURE 1234567	EFF CODE	QTY PER ASSY
01-					
292	413T3049-68		..TRIM	A-C	1
-292A	413U3165-4		DELETED		
-292B	413U3165-152		..TRIM	D,E	1
294	NAS603-7P		.SCREW	A-E	14
R -295	NAS603-6P		.SCREW	F	14
296	BACB30LU3-8		DELETED		
297	413T3051-77		.ZEE ASSY		2
300	BACR15BA3AD		..RIVET-		14
			(SIZE DETERMINE ON INST)		
303	F5000-3BAC		..NUTPLATE-		7
			(V15653)		
			(SPEC BACN10JR3F)		
			(OPT NS103203-02		
			(V80539))		
			(OPT RMF9201-3		
			(V72962))		
			(OPT T8091S1032		
			(V11815))		
			(OPT VN152A1-02		
			(V92215))		
			(OPT BRF200A3		
			(V52828))		
306	413T3051-76		..ZEE		1
309	NAS603-7P		.SCREW		8
310	AN960PD10L		DELETED		
310A	AN960JD10L		.WASHER		8
312	NAS6603-18		.BOLT		7
315	AN960PD10L		DELETED		
315A	AN960JD10L		.WASHER		7
318	H10-3BAC		DELETED		
318A	MS21042L3		.NUT		7
321	413T3042-33SP		.BRACKET		1
324	413T3041-3		.BRACKET		1
327	BACB30LM3SU21		.BOLT	A-C	2
327A	NAS6603-21		.BOLT	D	2
R -327B	NAS6603-20		.BOLT	E,F	2
330	AN960PD10L		.WASHER	A-C	2

25-24-01

 ILLUSTRATED PARTS LIST
 01.1 Page 1049
 Sep 01/94

FIG. & ITEM	PART NO.	AIRLINE PART NUMBER	NOMENCLATURE 1234567	EFF CODE	QTY PER ASSY
01-					
-330A	AN960JD10L		.WASHER	D-F	2
333	H10-3BAC		.NUT-	A-C	2
			(V15653)		
			(SPEC BACN10JC3)		
			(OPT NS202101-02		
			(V80539))		
			(OPT RMLH9075-3W		
			(V72962))		
			(OPT T6S1032J		
			(V71087))		
			(OPT VN303A02		
			(V92215))		
			(OPT 96-02		
			(V80539))		
			(OPT BRH10A3		
			(V52828))		
-333A	MS21042L3		.NUT	D-F	2
336	413T3023-27SP		.FITTING	A-E	1
R -336A	413T3023-78SP		.FITTING	F	1
339	NAS603-7P		DELETED		
342	10318-1		DELETED		
345	10318-2		DELETED		
348	413T3051-13SP		DELETED		
351	NAS603-7P		.SCREW	A-E	4
R -351A	NAS603-6P		.SCREW	F	4
354	NAS514P1032-7		.SCREW	A-E	2
R -354A	NAS6603-6P		.SCREW	F	2
357	413T3051-9SP		.PLATE		1
360	413T3060-4		.TRIM	A-C	1
-360A	413U3165-18		.TRIM	D-F	1
361	413U3165-18		DELETED		
363	NAS514PP1032-7		DELETED		
363A	NAS514P1032-7		.SCREW	A-C	14
366	413T3060-3		.TRIM	A-C	1
-366A	413U3165-6		.TRIM	D,E	AR
R -366B	413U3165-81		.TRIM	F	AR
369	413T3060-5		.TRIM	A-C	1
-369A	413U3165-75		.TRIM	D,E	1
R -369B	413U3165-49		.TRIM	F	1
372	NAS603-6P		.SCREW		10
375	413T3051-52SP		.PLATE		1
378	NAS603-7P		.SCREW	A-E	2

25-24-01

ILLUSTRATED PARTS LIST

01.1

Page 1050

Sep 01/94


BOEING
 COMPONENT
 MAINTENANCE MANUAL

FIG. & ITEM	PART NO.	AIRLINE PART NUMBER	NOMENCLATURE 1234567	EFF CODE	QTY PER ASSY
01-					
R 381	413T3051-12SP		.BRACKET	A-E	1
R 381A	413U3165-6		.TRIM	F	1
R 387	2055144		.RETAINER- (V04169)	A-E	1
R 390	NAS602-6P		.SCREW	A-E	2
R 393	AN960PD8L		DELETED		
R 393A	AN960JD8L		.WASHER	A-E	2
R 396	69B51630-1		.STRIKE-PNL LATCH	A-E	1
R 396B	NAS603-10P		.SCREW	F	2
R 396J	413T3051-101		.STRIKE-PNL LATCH	F	1
R 396K	413T3051-102		DELETED		
R 397	BACS40R004C025F		.SHIM	F	AR
R 399	NAS603-7P		.SCREW	A-E	18
R -399A	NAS603-6P		.SCREW	F	18
R 402	413T3051-16SP		.BRACKET		1
R 405	NAS603-7P		.SCREW	A-E	10
R -405A	NAS603-6P		.SCREW	F	10
R 408	413T3051-10SP		.BRACKET		1
R 411	NAS603-7P		.SCREW	A-E	22
R 411J	NAS603-6P		.SCREW	F	20
R 414	413T3051-54SP		.BRACKET	A-E	1
R 417	413T3051-53SP		.BRACKET	A-E	1
R 417J	413T3051-93SP		.BRACKET	F	5
R 420	413T3052-1SP		.PANEL ASSY	A	1
R -420A	413T3052-67SP		.PANEL ASSY	B,C	1
R -420B	413T3052-87SP		.PANEL ASSY	D,E	1
R -420C	413T3169-234SP		.PANEL ASSY	F	1
R 423	NAS1835A3		..INSERT	A-E	94
R 423A	SL2334-3A5		..INSERT- (V97393)	F	73

25-24-01

ILLUSTRATED PARTS LIST

01.1

Page 1051

Sep 01/94

FIG. & ITEM	PART NO.	AIRLINE PART NUMBER	NOMENCLATURE 1234567	EFF CODE	QTY PER ASSY
01-					
424	NAS1835A3		..INSERT	A-C	2
426	NAS1836-06-12		..INSERT	A-E	1
-426A	SL2334-06A5		DELETED		
R -426B	SL2334-08A5		..INSERT- (V97393)	F	1
429	NAS1836-06-16		..INSERT	A-E	2
-429A	SL2334-06A5		DELETED		
R -429B	SL2334-06A3		..INSERT- (V97393)	F	2
432	NAS1836-08-12		..INSERT- (OPT ITEM 432A)	A-C	2
-432A	NAS1836A08-12		..INSERT- (OPT ITEM 432)	A-C	2
-432B	NAS1836A08-12		..INSERT	D,E	2
-432C	SL2748-08S		DELETED		
R -432D	SL2334-3A3		..INSERT- (V97393)	F	2
438	NAS603-7P		.SCREW	A	8
-438A	NAS603-8P		.SCREW	B-E	8
R 439	NAS603-8P		.SCREW	F	4
441	NAS623-3-19		DELETED		
444	AN960PD10L		DELETED		
444A	AN960JD10L		.WASHER	A-C	2
447	H10-3BAC		DELETED		
447A	MS21042L3		.NUT	A-C	2
450	69B51689-2		DELETED		
R 450A	69B51689-3		.BRACKET-COAT	A-E	2
R 451	69B51689-3		.BRACKET-COAT	F	1
453	413T3606-2		DELETED		
454	413U3165-42		.ROD-COAT	A-F	AR
456	NAS603-7P		.SCREW	A-E	4
R -456A	NAS603-6P		.SCREW	F	4

25-24-01

 ILLUSTRATED PARTS LIST
 01.1 Page 1052
 Sep 01/94


BOEING
 COMPONENT
 MAINTENANCE MANUAL

FIG. & ITEM	PART NO.	AIRLINE PART NUMBER	NOMENCLATURE 1234567	EFF CODE	QTY PER ASSY
01-					
R 459	413T3042-53SP		.BRACKET ASSY	A-E	1
R 459A	413T3051-90SP		.BRACKET ASSY	F	1
462	BACR15BA3AD		..RIVET- (SIZE DETERMINE ON INST)	A-E	8
463	BACR15BB3D		DELETED		
R 463A	BACR15FT6D3R		DELETED		
R 463B	BACR15FT6D4		..RIVET	F	4
465	K1000-3BAC		..NUTPLATE- (V15653) (SPEC BACN10JR3) (OPT NS103202-02 (V80539)) (OPT RMA9201-3 (V72962)) (OPT T8088S1032 (V11815)) (OPT VN102A1-02 (V92215)) (OPT BR2000A3 (V52828))	A-E	4
R 467	69B51689-3		..BRACKET-COAT	F	1
468	413T3042-55		..BRACKET	A-E	1
R 469	413T3051-91SP		..BRACKET	F	1
471	NAS603-7P		.SCREW	A	10
-471A	NAS603-6P		.SCREW	B-E	10
474	413T3051-3SP		.BRACKET		1
477	NAS603-7P		.SCREW	A	32
-477A	NAS603-6P		.SCREW	B-F	32
480	413T3051-5SP		.BRACKET	A-E	8
R 480A	413T3167-1SP		.ANGLE	F	8
483	413T3060-16		.TRIM	A-C	1
-483A	413U3165-30		.TRIM	D,E	AR
R 483B	413U3165-18		.TRIM	F	1
486	NAS603-7P		.SCREW	A	4
-486A	NAS603-6P		.SCREW	B-E	4
489	413T2009-92		.BRACKET	A-E	1
492	NAS603-7P		.SCREW	A	6
-492A	NAS603-6P		.SCREW	B-E	6
495	413T2009-91		.BRACKET	A-E	1
498	NAS603-7P		.SCREW	A-E	6

25-24-01

 ILLUSTRATED PARTS LIST
 01.1 Page 1053
 Sep 01/94

FIG. & ITEM	PART NO.	AIRLINE PART NUMBER	NOMENCLATURE 1234567	EFF CODE	QTY PER ASSY
01-					
R -498A	NAS603-6P		.SCREW	F	6
501	NAS6603-22P		.SCREW	A-E	2
504	413T3051-36SP		.BRACKET	A-E	1
-504A	413T3051-94SP		DELETED		
R -504B	413T3051-103SP		.BRACKET	F	1
507	BACR15DR3		.RIVET-	A-E	2
			(SIZE DETERMINE ON INST)		
510	413T3024-37		.PLATE-STRIKER	A-E	1
513	NAS514P1032-7		.SCREW	A-C	6
516	413T3060-14		.TRIM	A-C	1
519	NAS514P1032-7		.SCREW	A-C	4
522	413T3060-15		.TRIM	A-C	1
-522A	413U3165-60		.TRIM	D,E	1
525	NAS514P1032-7		.SCREW	A-C	4
-525A	NAS603-6		.SCREW	D,E	4
R 526	NAS603-6P		.SCREW	F	9
528	H2-1061-1		.STOP-DOOR (V34941)		1
531	413T3060-13		.TRIM	A-E	1
R 532	413U3165-55		.TRIM	F	4
534	413T3050-1SP		.PANEL ASSY	A-C	1
-534A	413T3050-75SP		.PANEL ASSY	D,E	1
R 534B	413T3169-232SP		.PANEL ASSY	F	1
			ATTACHING PARTS		
537	NAS514P1032-7		.SCREW	A-C	5
			-----*		
540	NAS1835A3		..INSERT	A-E	79
R 541	SL2334-3A5		..INSERT-	F	72
			(V97393)		
543	NAS1836-06-12		..INSERT	A-E	1
544	SL2334-06A5		DELETED		
R 544A	SL2334-08A5		..INSERT-	F	1
			(V97393)		
546	SL2868S3-1000		..INSERT-	A-E	5
			(V97393)		
R 547	NAS603-6P		.SCREW	F	10
R 548	413T3051-20SP		.BRACKET	F	1
549	NAS603-7P		.SCREW	A-E	20
R -549A	NAS603-6P		.SCREW	F	20
550	NAS514632-8		DELETED		
551	S1031-9		DELETED		
552	413T3051-25SP		.BRACKET		2
R 553	NAS514632-8		.SCREW	F	2
R 554	S1031-9		.PLATE-STRIKER (V31845)	F	1

25-24-01

 ILLUSTRATED PARTS LIST
 01.1 Page 1054
 Sep 01/94


BOEING
 COMPONENT
 MAINTENANCE MANUAL

FIG. & ITEM	PART NO.	AIRLINE PART NUMBER	NOMENCLATURE 1234567	EFF CODE	QTY PER ASSY
R 01-554A	SL2334-06A3		. INSERT- (V97393)	F	2
	555	413T3049-11SP	. PANEL ASSY	A-C	1
	-555A	413T3049-83SP	. PANEL ASSY	D,E	1
R -555B	413T3169-239SP		. PANEL ASSY	F	1
	556	SL2334-06A3	DELETED		
	558	NAS1835A3	.. INSERT	A-E	24
R -558A	SL2334-3A5		.. INSERT- (V97393)	F	24
R 559	SL2334-3A5		.. INSERT- (V97393)	F	5
	561	NAS1836-06-16	.. INSERT	A-E	2
	-561A	SL2334-06A5	DELETED		
R -561B	SL2334-06A3		.. INSERT- (V97393)	F	2
	564	BACB30LU3-16	DELETED		
R 564A	BACB30LH3-16		. BOLT		9
	567	H10-3BAC	DELETED		
	567A	MS21042L3	. NUT		9
	570	413T3053-3SP	. FITTING		1
	573	BACB30LM3SU21	. BOLT	A-C	2
	-573A	NAS6603-21	. BOLT	D	2
R -573B	NAS6603-20		. BOLT	E,F	2
	576	AN960PD10L	DELETED		
	576A	AN960JD10L	. WASHER		2
	579	H10-3BAC	DELETED		
	579A	MS21042L3	. NUT		2
	582	413T3023-17SP	. FITTING		1
	585	NAS603-7P	. SCREW	A-E	10
R -585A	NAS603-6P		. SCREW	F	10
	588	413T3051-4SP	. BRACKET		1
	591	NAS603-7P	. SCREW	A-E	4

25-24-01

 ILLUSTRATED PARTS LIST
 01.1 Page 1055
 Sep 01/94

FIG. & ITEM	PART NO.	AIRLINE PART NUMBER	NOMENCLATURE 1234567	EFF CODE	QTY PER ASSY
	01-				
R	-591A	NAS603-6P	. SCREW	F	4
	594	413T3051-5SP	. BRACKET	A-E	1
R	594A	413T3167-1SP	. ANGLE	F	1
	597	NAS6603-18	. BOLT		5
	600	AN960PD10L	DELETED		
	600A	AN960JD10L	. WASHER		5
	603	H10-3BAC	DELETED		
	603A	MS21042L3	. NUT		5
	606	413T3051-6	. FILLER		1
	609	413T3051-7SP	. BRACKET		1
	612	413T3051-8SP	. BRACKET		1
	615	413T3049-1SP	. PANEL ASSY	A-C	1
	-615A	413T3049-81SP	. PANEL ASSY	D,E	1
R	-615B	413T3169-236SP	. PANEL ASSY	F	1
	618	NAS1834A3-1000	.. INSERT		12
	621	NAS1835A3	.. INSERT	A-E	7
R	-621A	SL2334-3A5	.. INSERT- (V97393)	F	7
	624	NAS514P1032-7	. SCREW	A-C	14
	627	413T3060-6	. TRIM	A-C	1
	-627A	413U3165-6	. TRIM	D-F	1
	630	413T3051-29	. TRIM	A-E	1
R	-630A	413T3051-105	. TRIM	F	1
	633	NAS603-7P	. SCREW	A-E	10
R	-633A	NAS603-6P	. SCREW	F	10
	636	413T3051-26SP	. BRACKET		1
	639	NAS603-7P	. SCREW	A-E	14
R	-639A	NAS603-6P	. SCREW	F	14
	642	413T3051-24SP	. BRACKET		1
	645	NAS603-7P	. SCREW	A-E	6

25-24-01

ILLUSTRATED PARTS LIST

01.1

Page 1056

Sep 01/94


BOEING
 COMPONENT
 MAINTENANCE MANUAL

FIG. & ITEM	PART NO.	AIRLINE PART NUMBER	NOMENCLATURE 1234567	EFF CODE	QTY PER ASSY
01-					
648	413T3051-32SP		.BRACKET	A-E	1
651	NAS514P632-3P		.SCREW		3
654	413T3060-18		.TRIM	A-E	1
657	NAS514P632-3P		.SCREW		7
660	413T3060-17		.TRIM	A-E	1
R 661	413U3165-41		.TRIM	F	1
663	201-120911-00		DELETED		
663A	20-120911-0101		DELETED		
663B	BCREF9492		.RIVET-PLASTIC (V02768) (201-120911-00-0101)		6
664	BCREF9492		DELETED		
666	413T3060-2SP		.FRIEZE		1
669	413T3055-1		DELETED		
669A	413T3055-1SP		.KICKSTRIP	A-E	1
R -669B	413T3055-7SP		.KICKSTRIP	F	1
672	NAS6603-22P		.SCREW	A-E	2
673	NAS514P1032-22P		DELETED		
R 673A	NAS514P1032-26P		.SCREW	F	4
675	413T2034-2		.PANEL ASSY-KICK	A-C	1
-675A	413T2034-10		.PANEL ASSY-KICK	D,E	1
R 675B	413T3169-249SP		.PANEL ASSY-KICK	F	1
678	NAS1835A3		..INSERT	A-E	7
681	NAS1836-06-16		..INSERT	A-E	3
R 682	NAS1834A3K1290		..INSERT	F	4
684	413T3054-1SP		.PANEL ASSY	A-C	1
-684A	413T3054-53SP		.PANEL ASSY	D,E	1
R -684B	413T3169-233SP		.PANEL ASSY	F	1
R 687	NAS1835A3		..INSERT	A-E	79
R 688	SL2334-3A5		..INSERT- (V97393)	F	61
690	NAS1836-06-16		..INSERT	A-E	7
-690A	SL2334-06A5		DELETED		
R -690B	SL2334-06A3		..INSERT- (V97393)	F	7
693	NAS1834A3-1000		..INSERT	A-E	4
696	NAS1834A3K1000		..INSERT		9
699	BACB30LU3-16		DELETED		
R -699A	BACB30LH3-16		.BOLT		9
702	413T3054-9SP		.PANEL ASSY	A-E	1

25-24-01

 ILLUSTRATED PARTS LIST
 01.1 Page 1057
 Sep 01/94

FIG. & ITEM	PART NO.	AIRLINE PART NUMBER	NOMENCLATURE 1234567	EFF CODE	QTY PER ASSY
01-					
R -702A	413T3169-241SP		.PANEL ASSY	F	1
705	NAS1835A3		.. INSERT	A-E	21
R -705A	SL2334-3A5		.. INSERT- (V97393)	F	21
708	NAS603-7P		.SCREW	A-E	14
R -708A	NAS603-6P		.SCREW	F	14
711	413T3051-27SP		.BRACKET		1
714	NAS603-7P		.SCREW	A-E	12
R 714J	NAS603-6P		.SCREW	F	16
717	413T3051-23SP		.BRACKET	A-E	1
R 717J	413T3051-92SP		.BRACKET	F	4
720	NAS603-7P		.SCREW	A-E	6
723	413T3051-32SP		.BRACKET	A-E	1
726	413T3054-4SP		.PANEL ASSY	A-C	1
726A	413T3054-54SP		.PANEL ASSY	D,E	1
R -726B	413T3169-240SP		.PANEL ASSY	F	1
729	NAS1835A3		.. INSERT	A-E	21
R 730	SL2334-3A5		.. INSERT- (V97393)	F	18
732	NAS1834A3K1000		.. INSERT		9
735	NAS603-7P		.SCREW	A-E	10
R -735A	NAS603-6P		.SCREW	F	10
738	413T3051-20SP		.BRACKET		1
741	NAS1368N80		DELETED		
741A	NAS1368N8D		.GROMMET	A-C	2
R 742	NAS1368N12D		.GROMMET	F	2
744	413T3049-69SP		.PANEL ASSY	A-C	1
-744A	413T3049-85SP		.PANEL ASSY	D,E	1
R 744B	413T3169-237SP		.PANEL ASSY	F	1
747	NAS1835A3		.. INSERT	A-E	32
748	NAS1368N8D		.. GROMMET	D,E	2
R 749	SL2334-3A5		.. INSERT- (V97393)	F	32
750	NAS514P1032-7		.SCREW	A-C	13
753	413T3051-2		.TRIM	A-C	1
-753A	413U3165-75		.TRIM	D,E	1
R 753C	413U3165-49		.TRIM	F	1
756	413T3049-10SP		.PANEL ASSY	A-C	1
-756A	413T3049-80SP		.PANEL ASSY	D,E	1
R -756B	413T3169-238SP		.PANEL ASSY	F	1

25-24-01

 ILLUSTRATED PARTS LIST
 01.1 Page 1058
 Sep 01/94


BOEING
 COMPONENT
 MAINTENANCE MANUAL

FIG. & ITEM	PART NO.	AIRLINE PART NUMBER	NOMENCLATURE 1234567	EFF CODE	QTY PER ASSY
01-					
R 759	NAS1835A3		..INSERT	A-E	16
-759A	SL2334-3A5		..INSERT- (V97393)	F	16
762	NAS1834A3-1000		..INSERT		6
765	SL2868S3-1000		..INSERT- (V97393)	A-C	5
R -765A	SL2334-3A5		..INSERT- (V97393)	F	5
-768	417T5125-1		.LIGHT AND SWITCH INSTL		1
771	BCREF7002		..RIVET- (V29372) (SPEC BACR15BX6-3)		8
774	417T5125-4		..RACEWAY		1
777	417T5125-5		..RACEWAY		1
780	417T5125-6		..RACEWAY		1
783	417T5125-7		..RACEWAY		1
786	10-0341-3		DELETED		
786A	60B50041-2		..LIGHT-CLOSET ATTACHING PARTS		1
789	NAS1801-06-4		..SCREW		2
792	AN960PD6L		..WASHER -----*		2
795	417T5035-1		..SWITCH ASSY ATTACHING PARTS		1
798	NAS1801-06-4		..SCREW		2
801	AN960PD6L		..WASHER -----*		2
804	NAS557-6A		...GROMMET		1
807	L18366-12		...SWITCH- (V17744)		1
810	417T5022-1		...HOUSING		1
-813	286T1178-1		..WIRE BUNDLE ASSY		1

25-24-01

ILLUSTRATED PARTS LIST

01.1

Page 1059

Sep 01/94

FIG. & ITEM	PART NO.	AIRLINE PART NUMBER	NOMENCLATURE 1234567	EFF CODE	QTY PER ASSY
01-					
816	BAC27TPPS4005		. .MARKER-ALUMINUM FOIL-L24 CLOSET LIGHT		1
819	BAC27TPPS4003		. .MARKER-ALUMINUM FOIL-S42 CLOSET SWITCH		1
822	BAC27TPPS0208		.PLACARD-SHELF LOAD LIMIT 28LB/13KG	A	1
-822A	BAC29PPS4683		.PLACARD	B-E	1
825	BAC27TPPS0221		.PLACARD-LOAD LIMIT PER ROD 65LB/29KG	A	1
-825A	BAC29PPS4684		DELETED		
-825B	BAC29PPS5791		.PLACARD	B-E	1
R 825C	BAC29PPS15328		.PLACARD-LOAD LIMIT PER ROD 70LB/32KG	F	1
826	BAC29PPS15260		.PLACARD-LATCH CLOSED	D,E	3
828	BAC27TPPS0205		.PLACARD-FLOOR LOAD LIMIT 58LB/26KG	A	1
-828A	BAC29PPS4682		.PLACARD	B-E	1
R 830	BAC29PPS15252		.PLACARD-FLOOR LOAD LIMIT 60LB/27KG	F	1
R 832	BAC29PPS15268		.PLACARD-SHELF LOAD LIMIT 25LB/11KG	F	1
R 835	BAC29PPS15260		.PLACARD-LATCH CLOSED	F	1
850	413T3057-1SP		.DOOR ASSY-VERT. SLIDING	B	1
-850A	413T3057-5SP		.DOOR ASSY-VERT. SLIDING	C-E	1
R -850B	413T3057-9SP		.DOOR ASSY-VERT. SLIDING	F	1
			ATTACHING PARTS		
853	NAS603-7P		.SCREW	B-E	22
856	AN960JD10L		.WASHER	B-E	22
			-----*-----		

25-24-01

 ILLUSTRATED PARTS LIST
 01.1 Page 1060
 Sep 01/94


BOEING
 COMPONENT
 MAINTENANCE MANUAL

FIG. & ITEM	PART NO.	AIRLINE PART NUMBER	NOMENCLATURE 1234567	EFF CODE	QTY PER ASSY
01- 859	NAS514P1032-7		..SCREW	B-E	16
862	413T3057-2		..TRIM- (ALT FROM GARD1005-7 (V62063))	B	3
-862A	413T3057-6		..TRIM- (ALT FROM GARD1005-7 (V62063))	C-F	3
865	413T3057-3		..TRIM- (ALT FROM GARD1005-7 (V62063))	B	1
-865A	413T3057-7		..TRIM- (ALT FROM GARD1005-7 (V62063))	C-F	1
868	413T3048-22SP		..PANEL ASSY	B	1
-868A	413T3048-27SP		..PANEL ASSY	C-E	1
R -868B	413T3619-663SP		..PANEL ASSY ATTACHING PARTS	F	1
871	NAS514P1032-7		..SCREW -----*-----	B-F	8
874	NAS1836-3-14		...INSERT	B-E	16
R -874A	SL2334-3A3		...INSERT- (V97393)	F	16
875	NAS514P632-5		...SCREW	B-E	2
876	NAS1836-06-09		...INSERT	B-E	2
-876A	NAS1836-3-16		DELETED		
R -876B	NAS1836-06-16		...INSERT	F	2
877	413N3109-78		...LATCH ASSY	B-E	1
880	BACR15BA3D	RIVET- (SIZE DETERMINE ON INST)	B-E	5
883	69B51600-3	PIN	B-E	1
886	69B51600-4	PIN	B-E	1
889	69B51600-2	COVER	B-E	1
892	MS24586-525	SPRING	B-E	1
895	MS18065-10	SCREW	B-E	1
898	413N3109-79	CATCH	B-E	1
901	413N3109-80	ANGLE	B-E	2
904	69B51629-1	HOUSING	B-E	1
907	413T3004-4		...PULL ASSY	B	1
-907A	413T3004-9		...PULL ASSY- (OPT ITEM 907B)	C-E	1
-907B	MDB1007		...PULL ASSY- (V62063) (OPT ITEM 907A)	C-E	1
910	413T3048-23		DELETED		
910A	413T3048-23SP		..PANEL ASSY	B-E	1

25-24-01

ILLUSTRATED PARTS LIST

01.1

Page 1061

Sep 01/94

FIG. & ITEM	PART NO.	AIRLINE PART NUMBER	NOMENCLATURE 1234567	EFF CODE	QTY PER ASSY
R 01- -910B	413T3619-664SP		..PANEL ASSY ATTACHING PARTS	F	1
913	NAS514P1032-7		..SCREW -----*-----	B-F	8
R 916 -916A	NAS1836-14 SL2334-3A3		...INSERT ...INSERT- (V97393)	B-E F	16 16
919	413T3057-4		..TRACK ASSY- (ALT FROM GAR1005 2400-2113-2113 (V62063))	B	1
-919A	413T3057-8		..TRACK ASSY- (ALT FROM GAR1007-6075- 2400-2113-2113 (V62063))	C,F	1

25-24-01

 ILLUSTRATED PARTS LIST
 01.1 Page 1062
 Sep 01/94